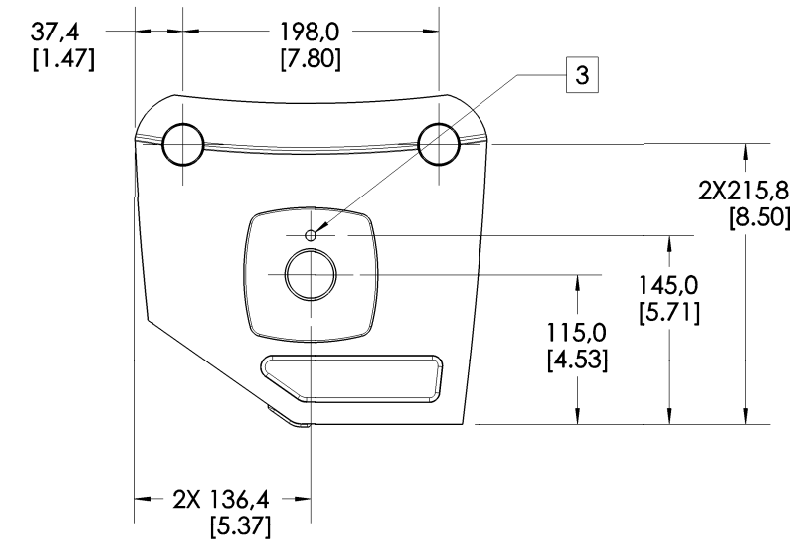
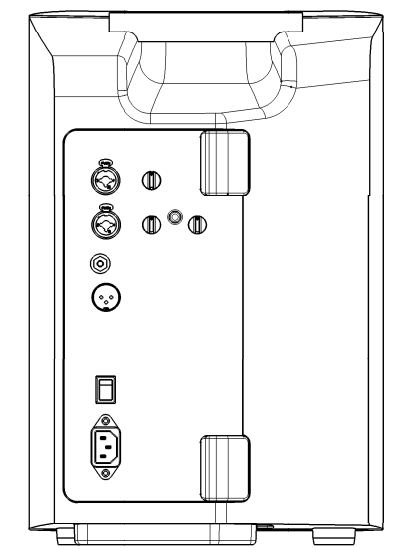
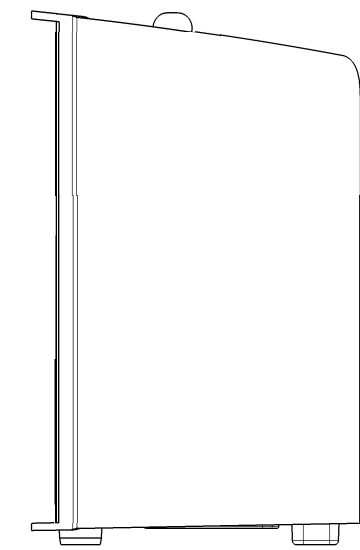
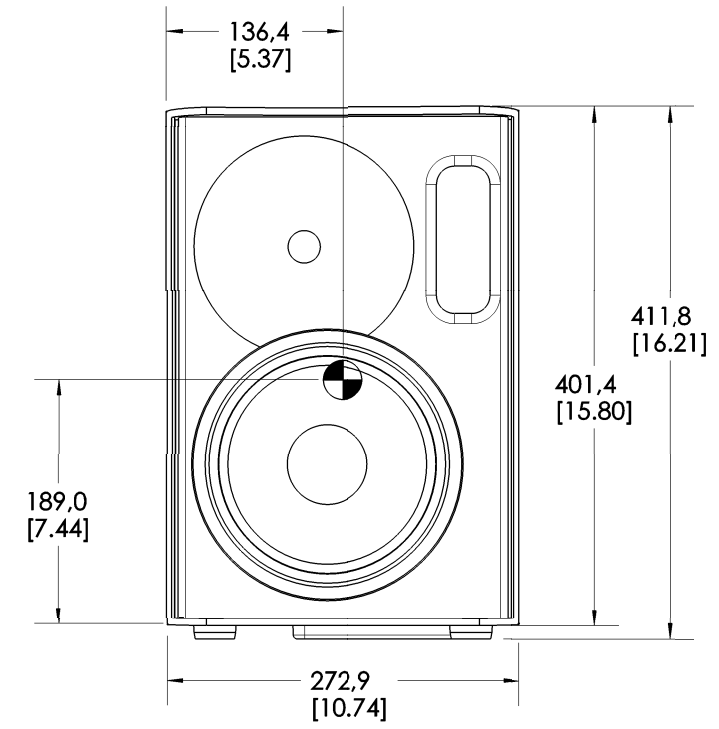
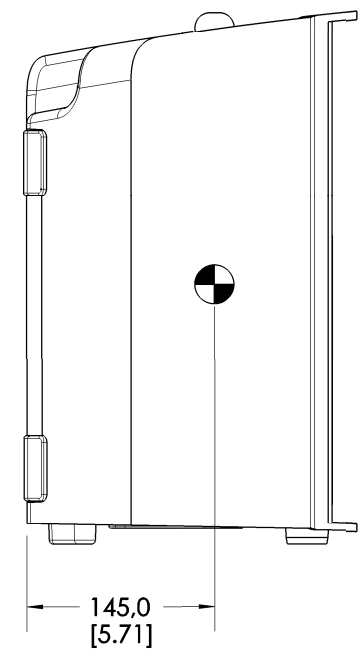
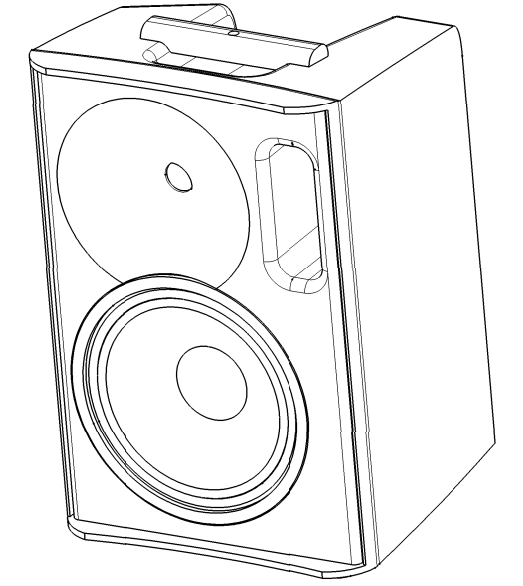
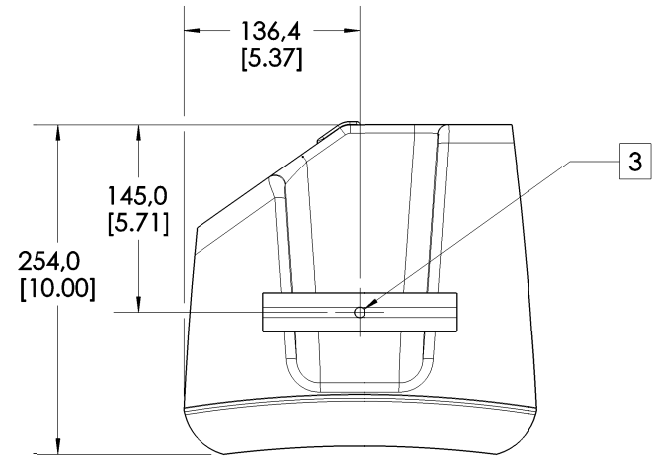


REVISION		BY	DATE
REV	DESCRIPTION		
A	INITIAL RELEASE	SS	26-SEPT-18
A1	CORRECT CG LOCATION	SS	8-OCT-18



- 6. GRILLE NOT SHOWN FOR CLARITY.
- 5. DIMENSIONS ARE IN MILLIMETERS [INCH].
- 4. SYMBOL INDICATES CENTER OF BALANCE.
- 3. YOKE MOUNT ATTACHMENT POINT, M8 THREAD, 2 PLACES.
- 2. TOLERANCES (MM): $X \pm 3$, ANGLES: $\pm 1^\circ$.
- 1. NET WEIGHT APPROX. 21.0 LBS [9.5 KG].

UNLESS OTHERWISE SPECIFIED DIMENSIONS ARE IN MM [IN] TOLERANCES ARE: DECIMALS ANGLES .X ± 3 [.12] ±1°		CAD GENERATED DRAWING DO NOT MANUALLY UPDATE		QSC, LLC 1675 MACARTHUR BOULEVARD COSTA MESA, CA 92626 USA	
MATERIAL N/A		APPROVALS		FINISHED GOOD, LOUDSPEAKER, CP8, 100-240V, BK, 8" 2-WAY	
FINISH N/A		DRAWN BY S. STASIAK			
DO NOT SCALE DRAWING		MECH ENGINEER T. AMUNDSON			
PROJECTION SYMBOL		TECH DIRECTOR R. VAUCHER			
		MFG ENGINEER C. YOMOYIDA		SIZE: B CAGE CODE: 00PW4 DWG. NO.: FG-901167-2D REV: A1	
				SCALE: 1:1 CAD FILE: FG-901167-2D.A1.1 SHEET: 1 OF 1	

NOTES: UNLESS OTHERWISE SPECIFIED