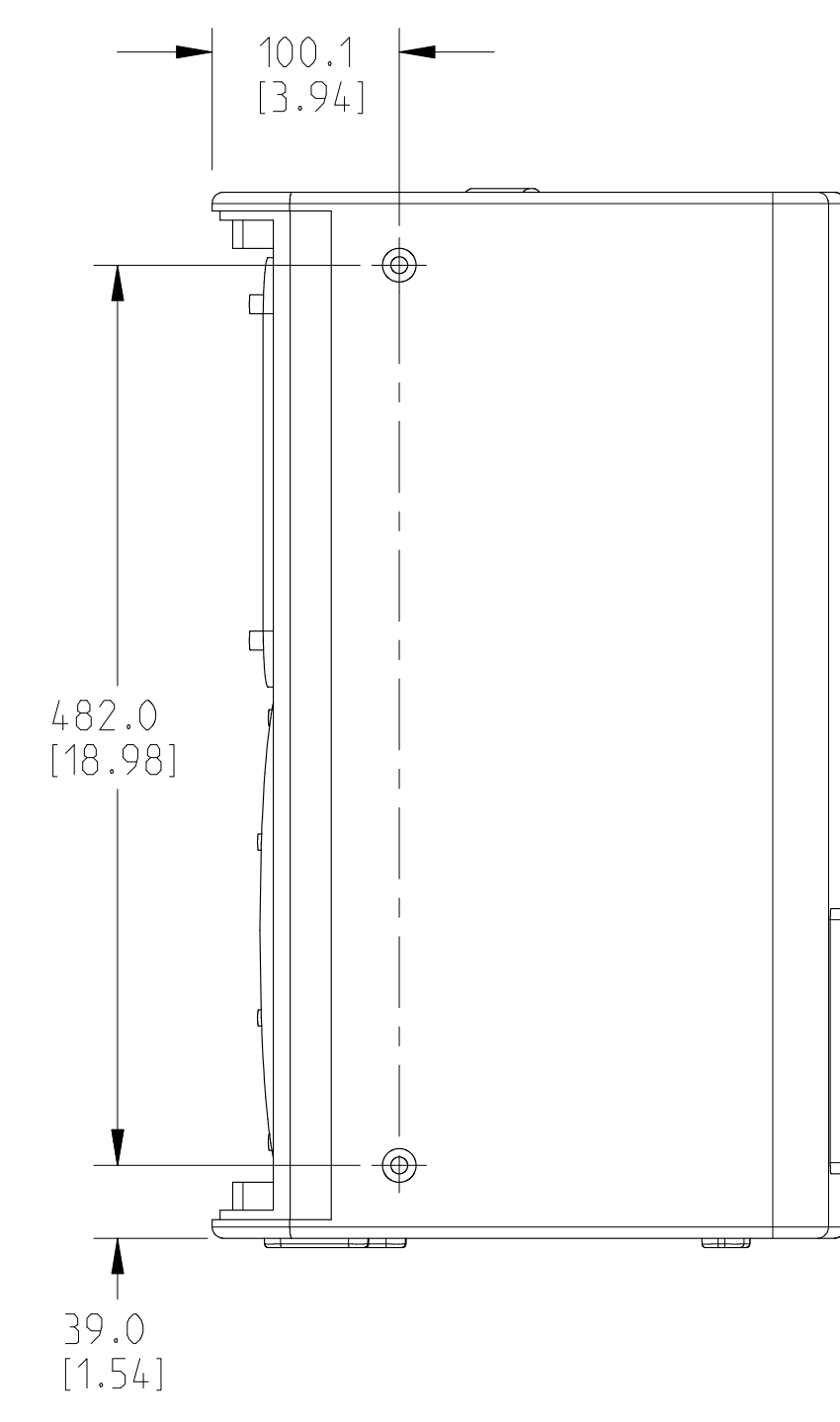
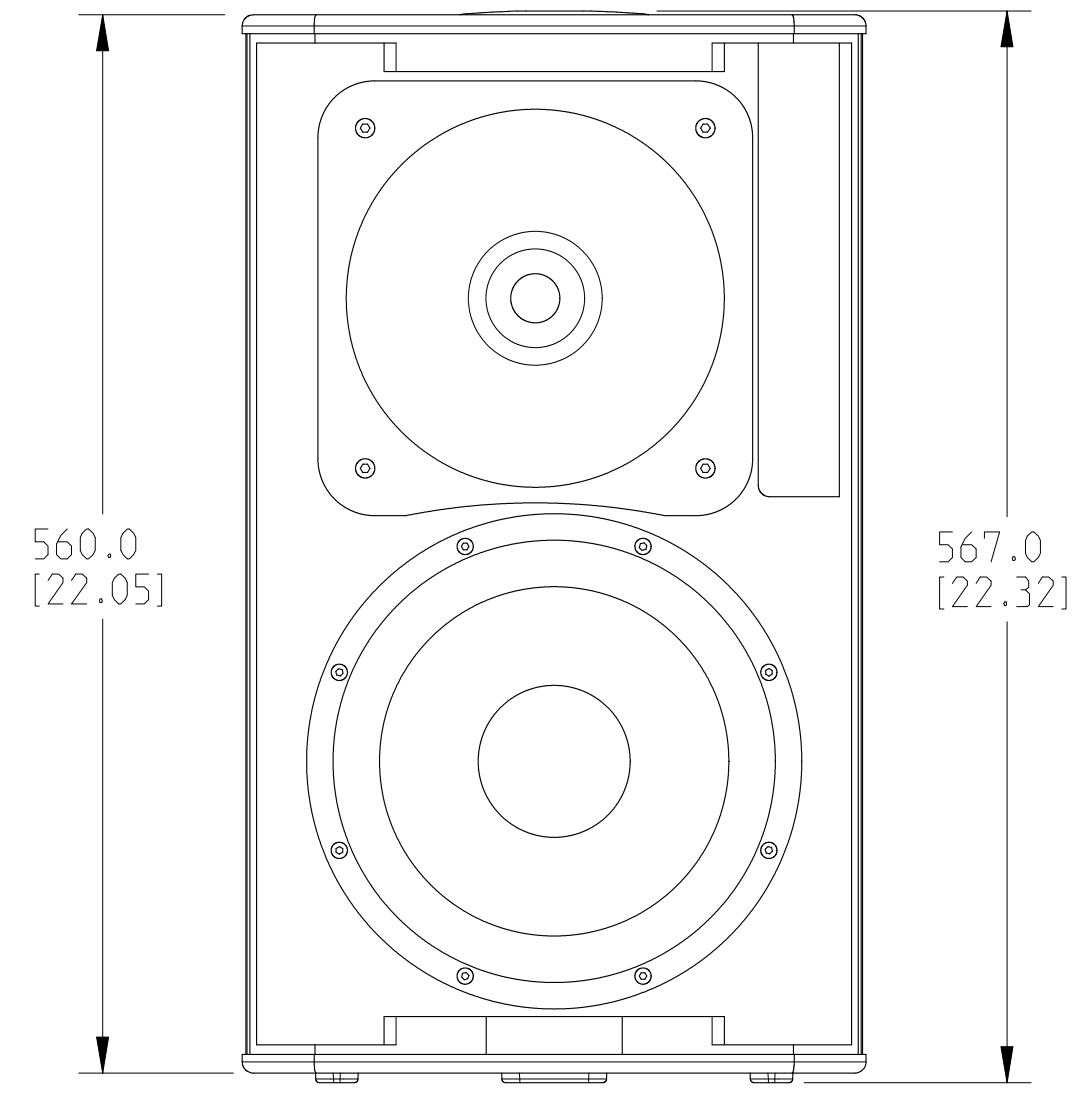
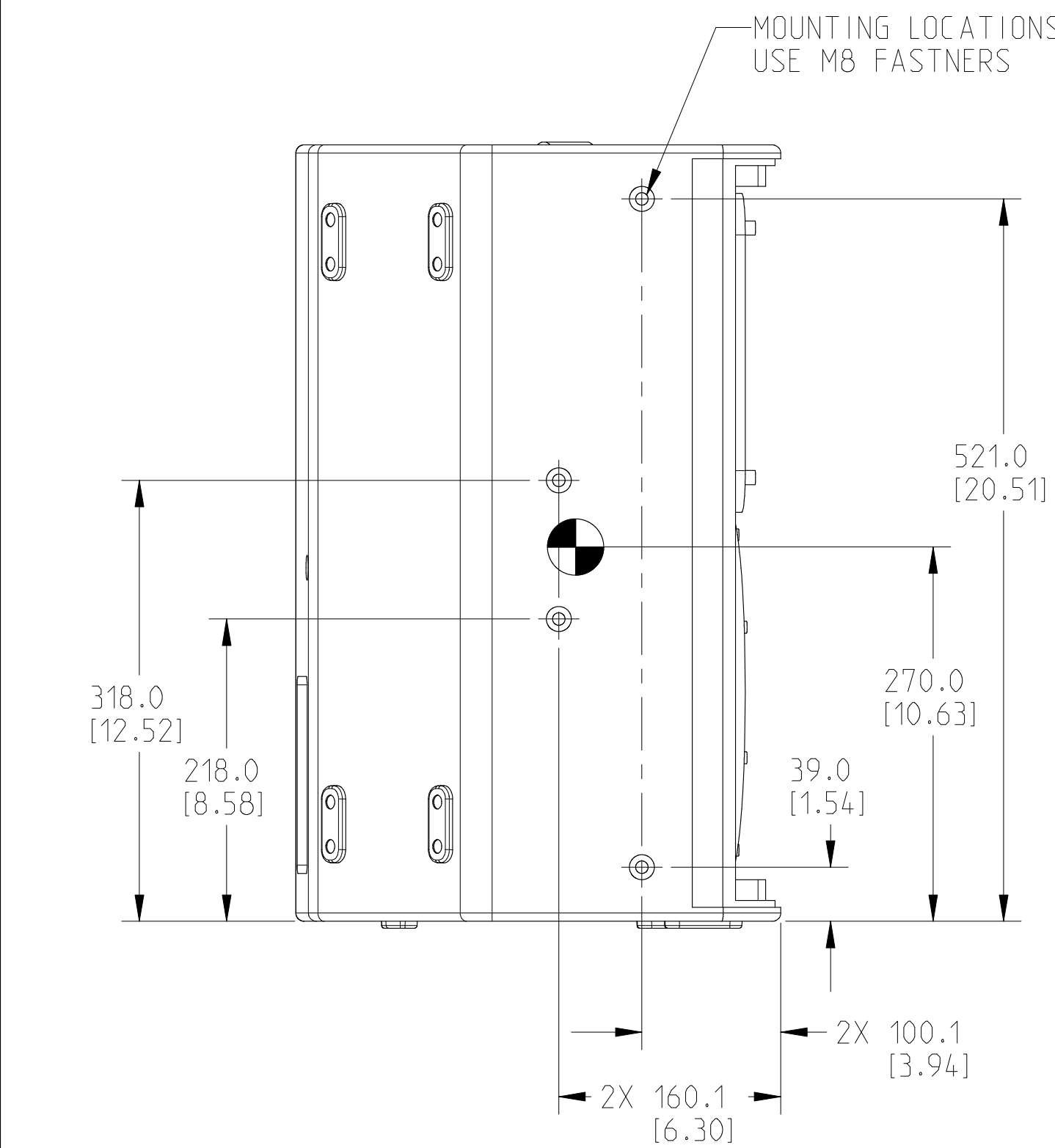
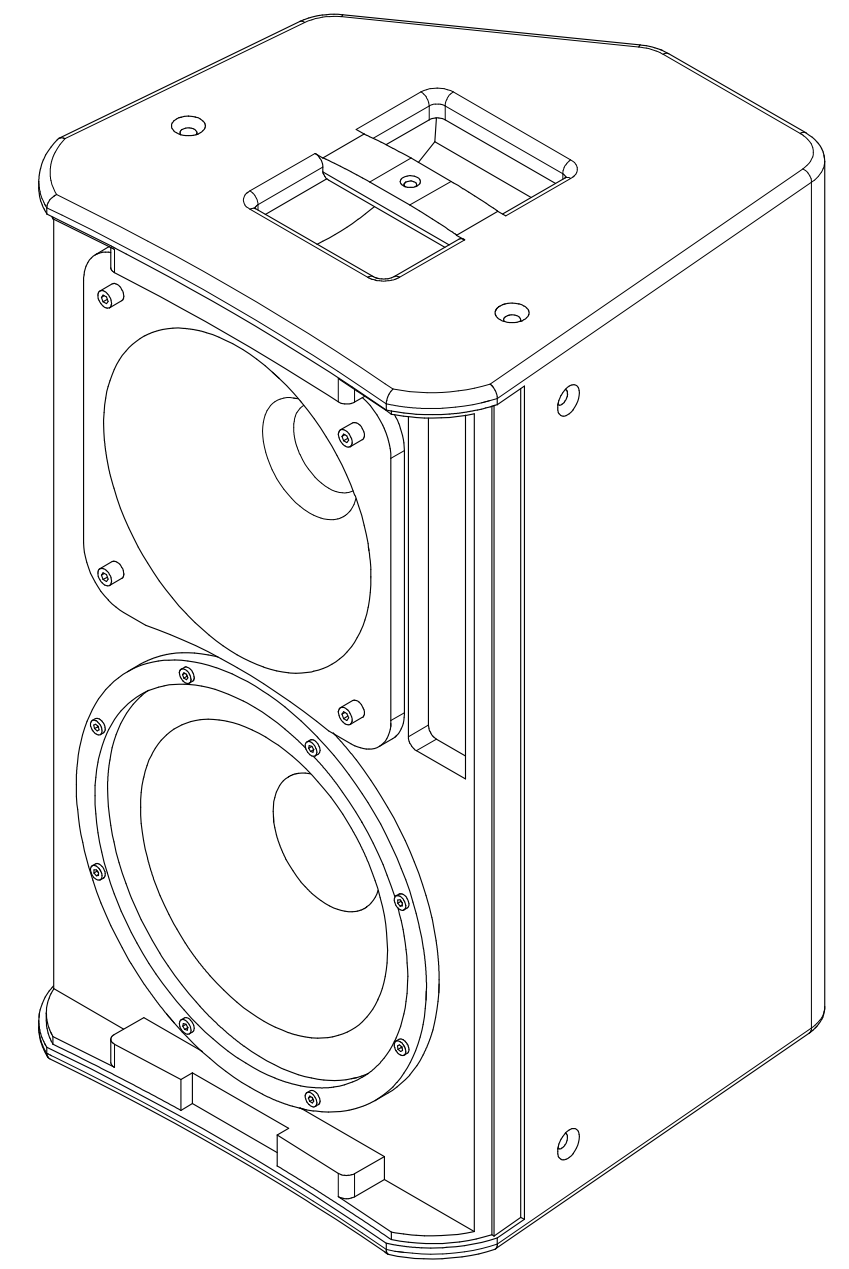
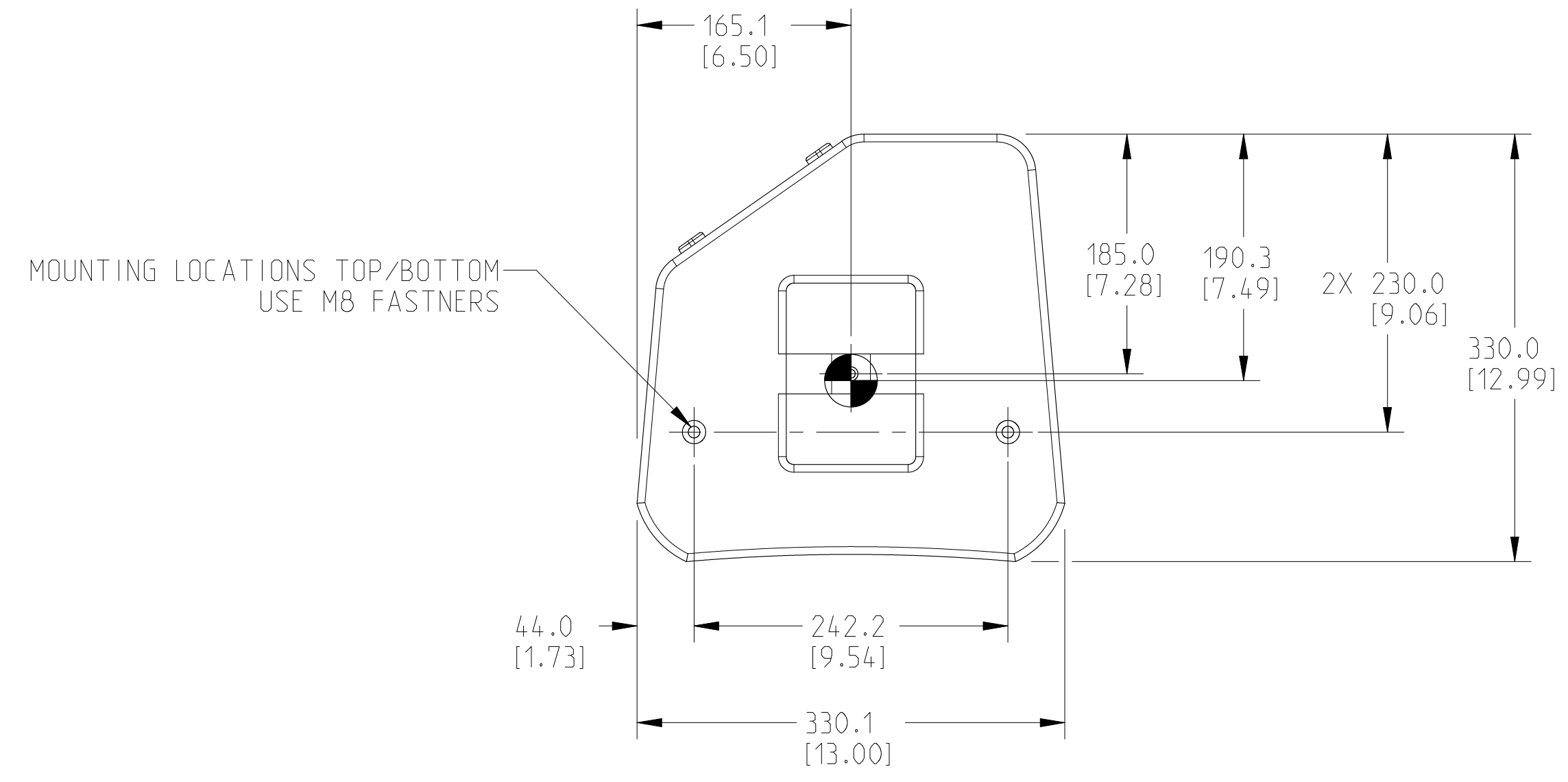
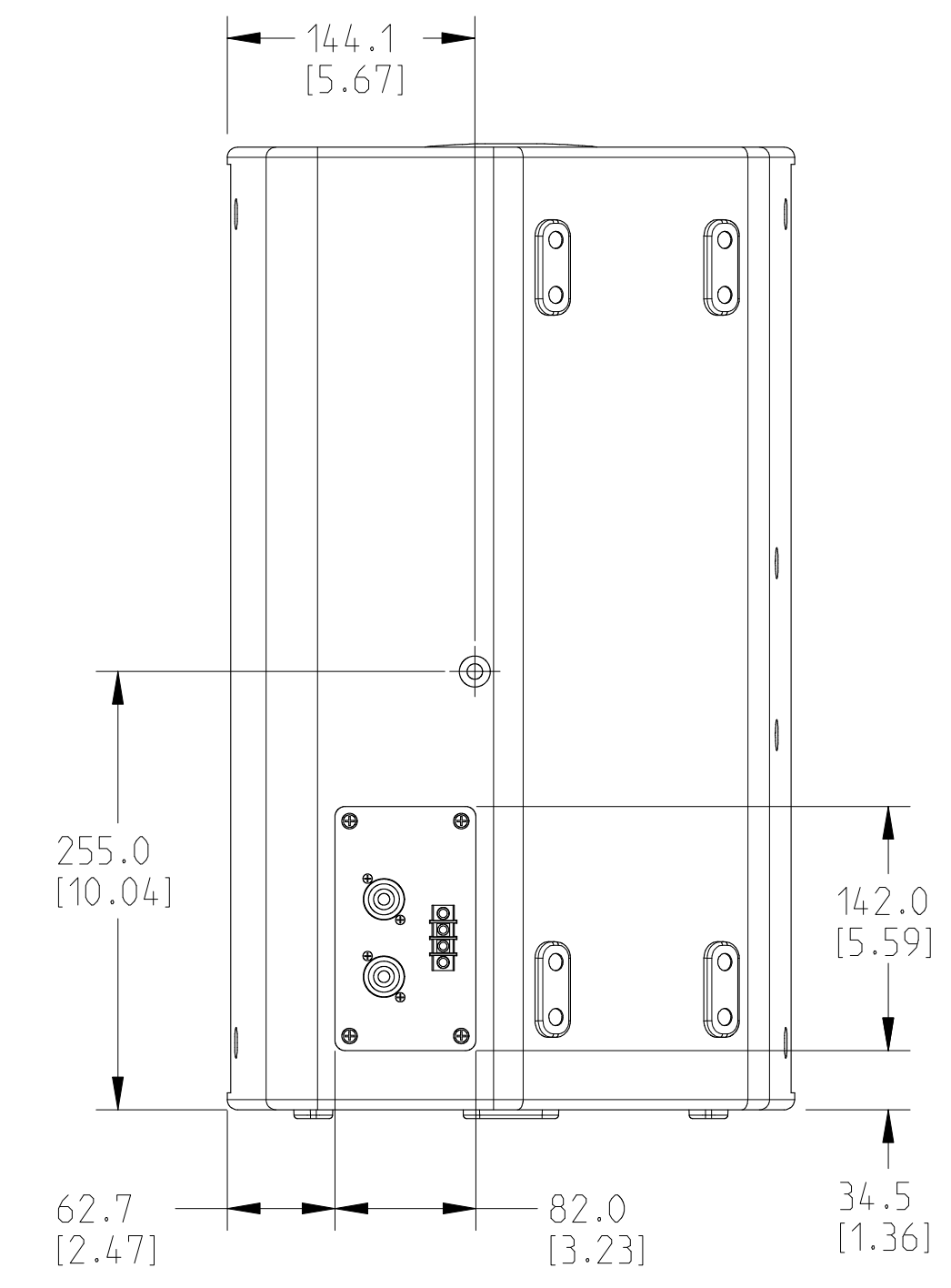


THIS DOCUMENT CONTAINS PROPRIETARY INFORMATION WHICH IS THE PROPERTY OF QSC, LLC. THAT MAY NOT BE DISCLOSED, REPRODUCED OR USED WITHOUT EXPRESS WRITTEN CONSENT FROM QSC, LLC.

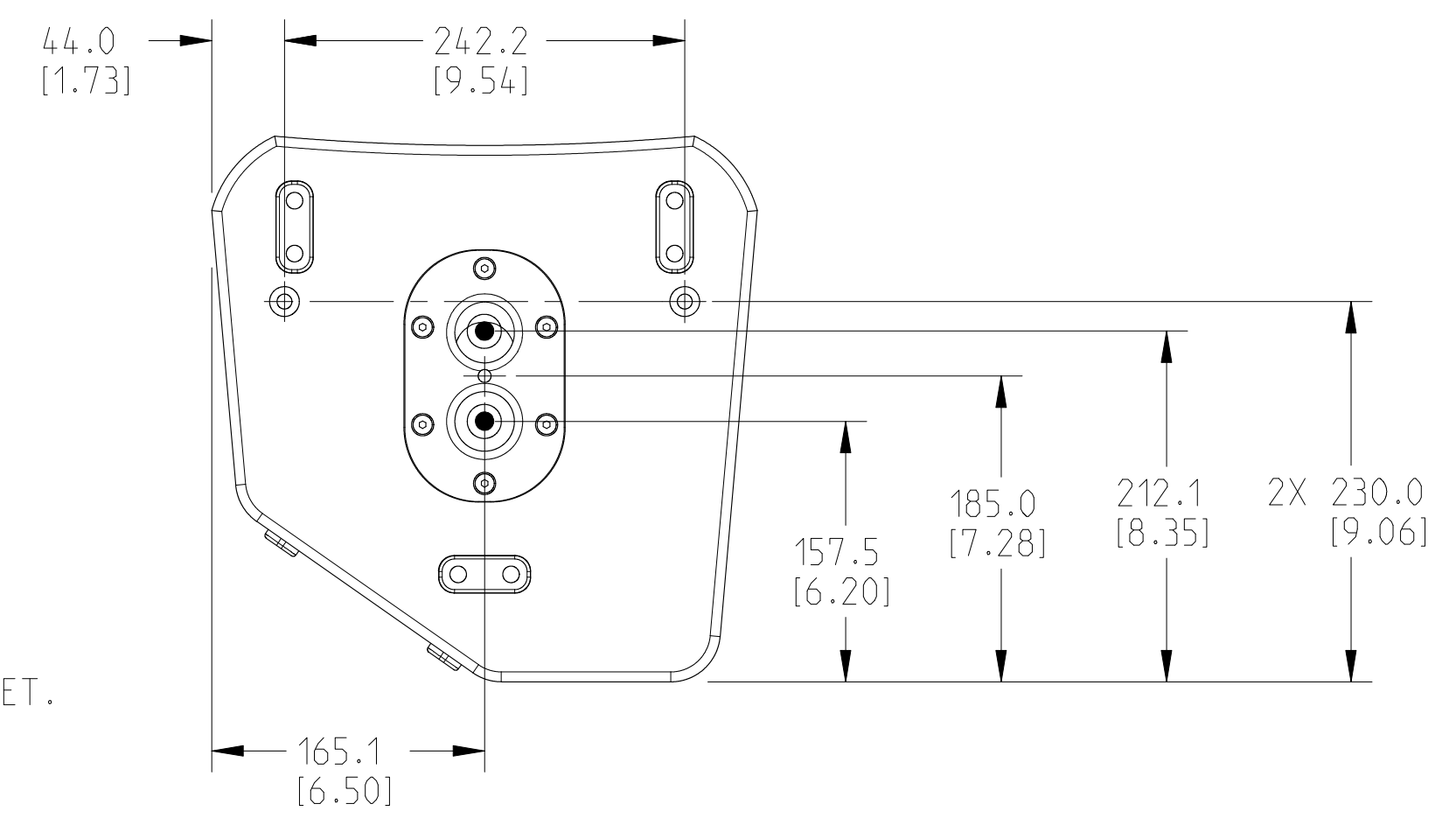
REVISIONS			
REV	DESCRIPTION	BY	DATE
A	RELEASE FOR SALES AND MARKETING	ES	24-JAN-18



RIGHT SIDE VIEW



REAR VIEW



7. GRILLE NOT SHOWN FOR CLARITY.
6. DIMENSIONS ARE IN MILLIMETERS [INCH].
5. SYMBOL INDICATES CENTER OF BALANCE.
4. SYMBOL INDICATES POLE MOUNT LOCATION, DUAL-ANGLE 35MM POLE SOCKET.
3. SYMBOL INDICATES SUSPENSION POINT, 11 TOTAL: M8-1.5 THD.
2. TOLERANCES (MM): X ± 3, ANGLES: ± 1°.
1. NET WEIGHT APPROX. 19.96 KG [44.0 LBS].

NOTE: UNLESS OTHERWISE SPECIFIED

UNLESS OTHERWISE SPECIFIED DIMENSIONS IN MILLIMETERS (IN) TOLERANCES ARE: DECIMALS .X±.5(-.02) .XX±.25(-.010) ANGLES ± 1/2 DEBURR EDGES .25 (-.010) R MAX	DESIGNER	QSC, LLC 1675 MACARTHUR BOULEVARD COSTA MESA, CA 92626	E110-BK, 10" 2-WAY		
	ENGINEER				
	TECHNICAL DIRECTOR				
	MANUFACTURING ENGINEER				
MATERIAL	DESIGNER	SIZE	CAGE CODE	DRAWING NO.	REV
FINISH	ENGINEER	D	00PW4	FG-901180-2D	A
	TECHNICAL DIRECTOR	SCALE:	0.250	DO NOT SCALE DRAWING	SHEET
	MANUFACTURING ENGINEER				1 OF 1
	DRAWING INFO: FG-901180-2D.A.3				
	MODEL INFO: FG-901180-3D.A.3				