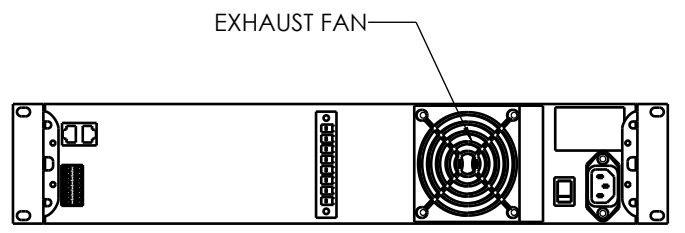
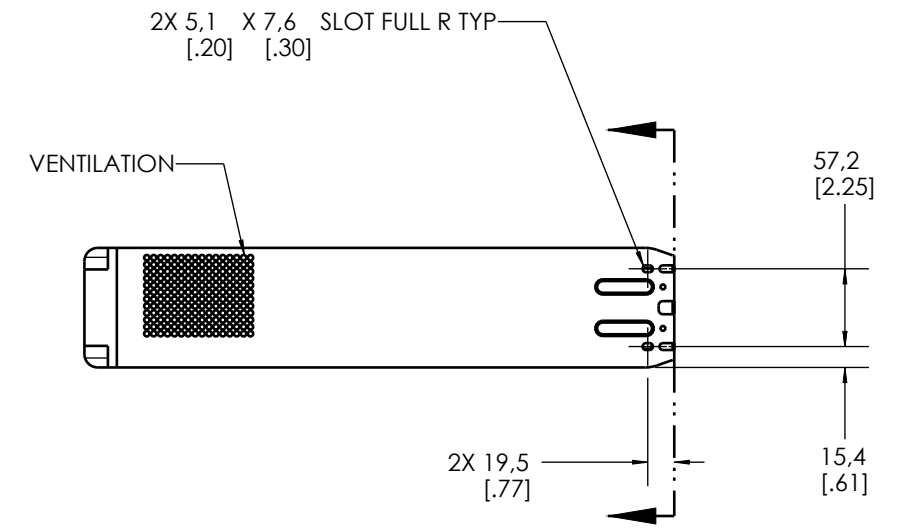
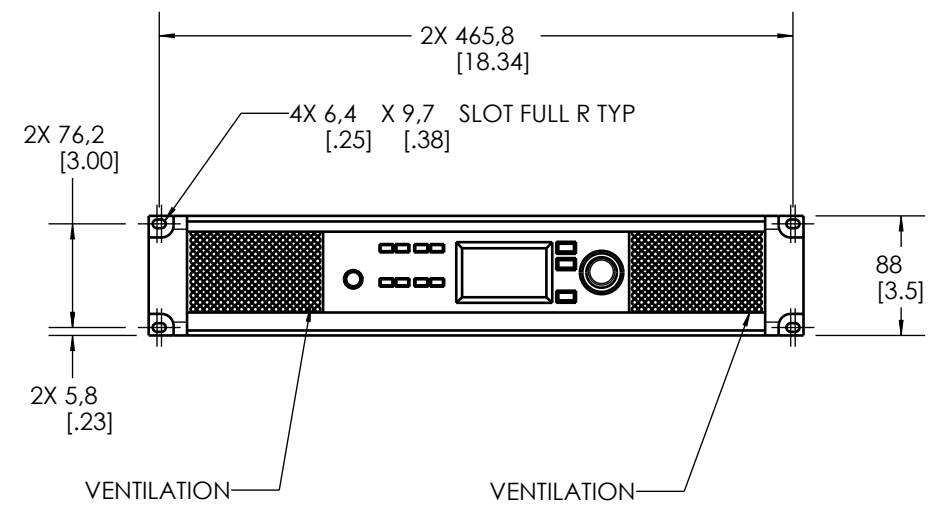
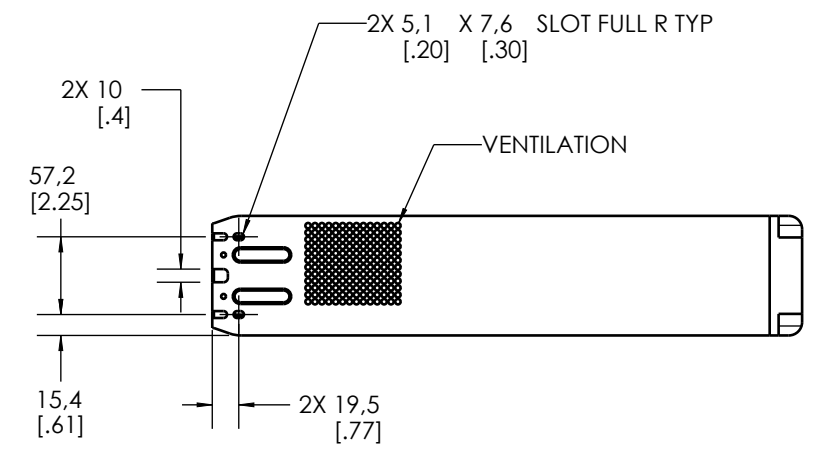
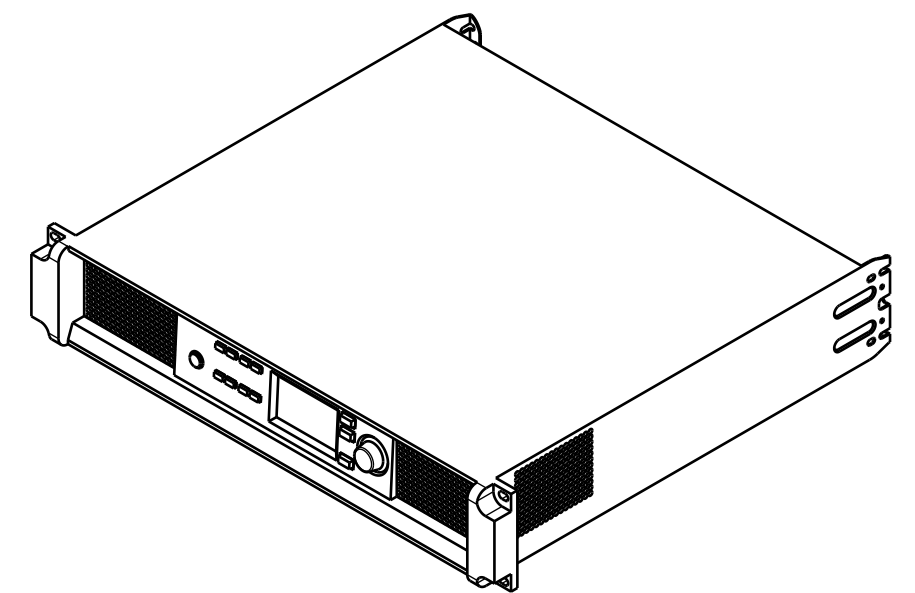
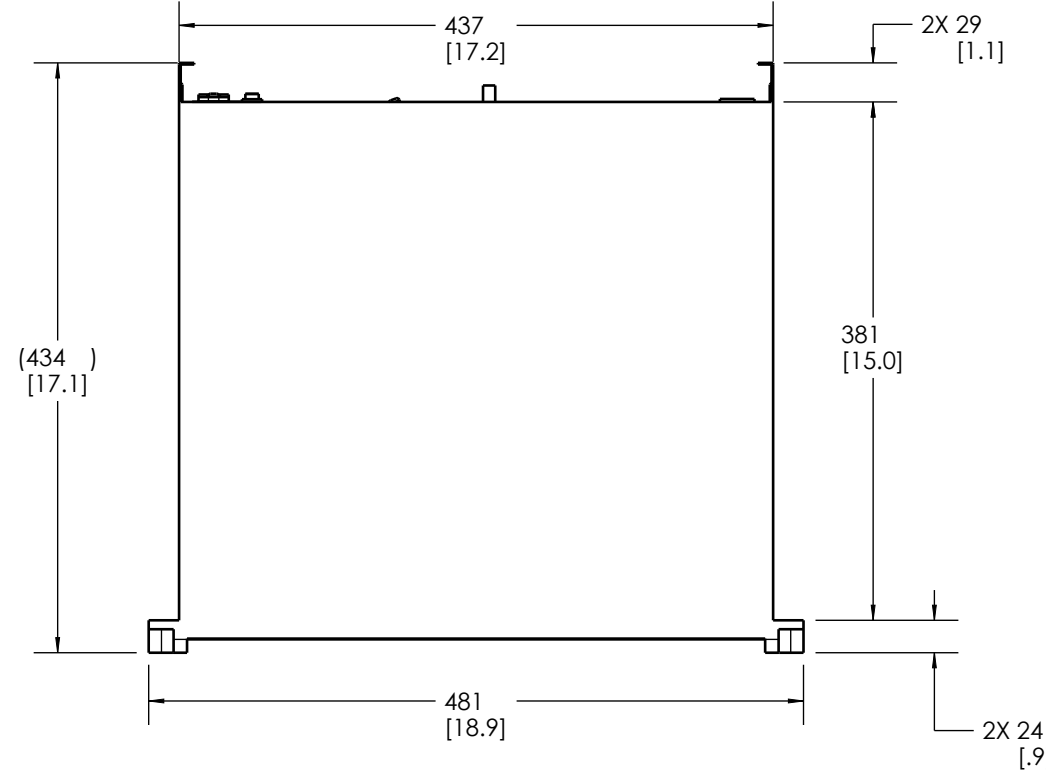


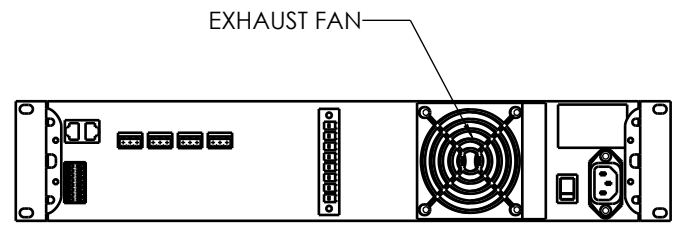
THIS DOCUMENT CONTAINS PROPRIETARY INFORMATION WHICH IS THE PROPERTY OF QSC, LLC. THAT MAY NOT BE DISCLOSED, REPRODUCED OR USED WITHOUT THE EXPRESS WRITTEN CONSENT FROM QSC, LLC.

NOTES: UNLESS OTHERWISE SPECIFIED
 1. NET WEIGHT APPROXIMATELY;
 CX-Q 2K4/ CX-QN 2K4 10.4 KG [23 LBS],
 CX-Q 4K4/ CX-QN 4K4 11.3 KG [25 LBS],
 CX-Q 8K4/ CX-QN 8K4 11.8 KG [26 LBS].

REVISION			
REV	DESCRIPTION	BY	DATE
A	INITIAL RELEASE	SS	10-SEPT-19



REAR VIEW
CX-QN CONFIGURATION



VIEW A-A
REAR VIEW
CX-Q CONFIGURATION

UNLESS OTHERWISE SPECIFIED DIMENSIONS ARE IN MM [IN]		CAD GENERATED DRAWING DO NOT MANUALLY UPDATE		QSC, LLC 1675 MACARTHUR BOULEVARD COSTA MESA, CA 92626 USA	
TOLERANCES ARE: DECIMALS ANGLES .X ± 3 [.12] ± 1°		APPROVALS		MECHANICAL OUTLINE, AMPLIFIER, CX-Q, CX-QN SERIES	
MATERIAL SEE NOTES		DRAWN BY S. STASIAK			
FINISH SEE NOTES		MECH ENGINEER D. TEULIE			
DO NOT SCALE DRAWING		TECH DIRECTOR R. BAKER			
PROJECTION SYMBOL		MFG ENGINEER R. SANGAM		SIZE B	CAGE CODE 00PW4
				DWG. NO. RD-000806	REV A
				SCALE: 1:1	CAD FILE: RD-000806.A.3
				SHEET: 1 OF 1	