

Unleash the Nano.

Q-SYS Core Nano (purely network I/O processor) with distributed I/O endpoints

Connected Meeting Room

Standard CAT-5/6

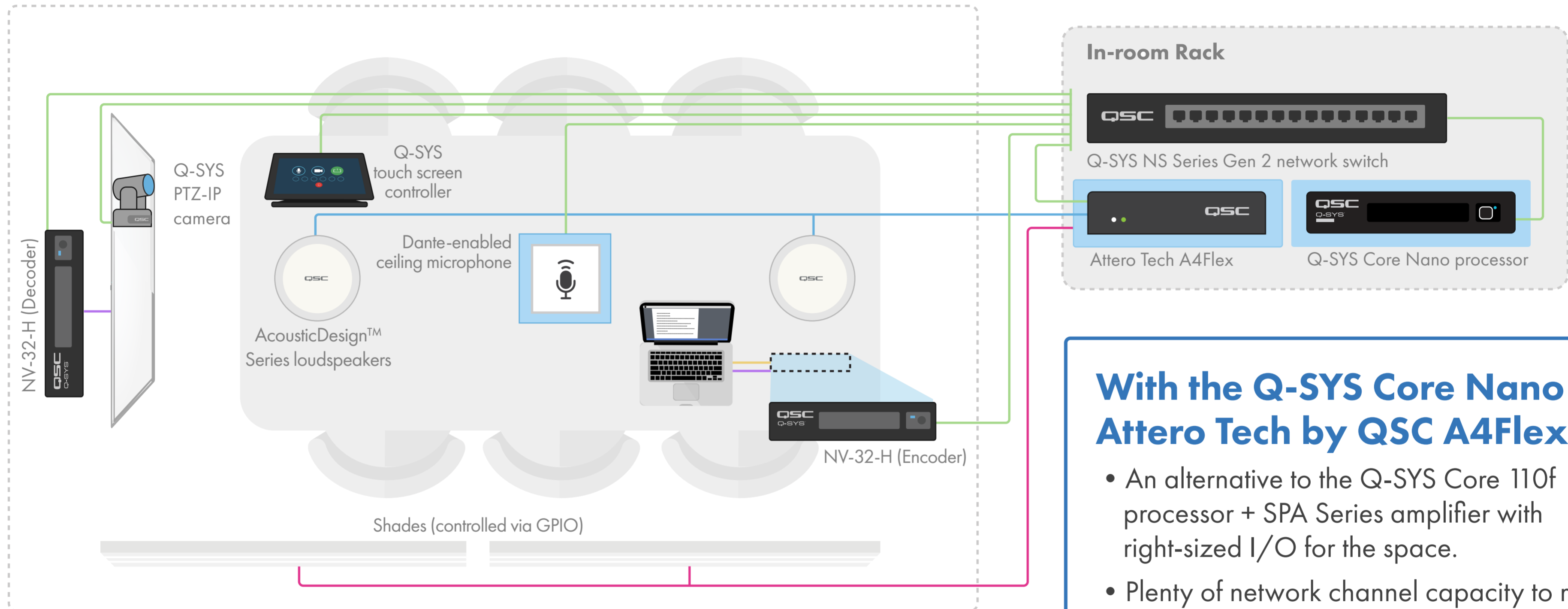
Mic/Line

HDMI

USB 2.0 or Higher

Loudspeaker

GPIO



With the Q-SYS Core Nano + Attero Tech by QSC A4Flex:

- An alternative to the Q-SYS Core 110f processor + SPA Series amplifier with right-sized I/O for the space.
- Plenty of network channel capacity to manage the audio, video and control processing for the space.
- The A4Flex integrates analog devices, along with its integrated power amplifier for the room's loudspeakers.

Unleash the Nano.

Q-SYS Core Nano (purely network I/O processor) with distributed I/O endpoints

Connected Classroom

Standard CAT-5/6

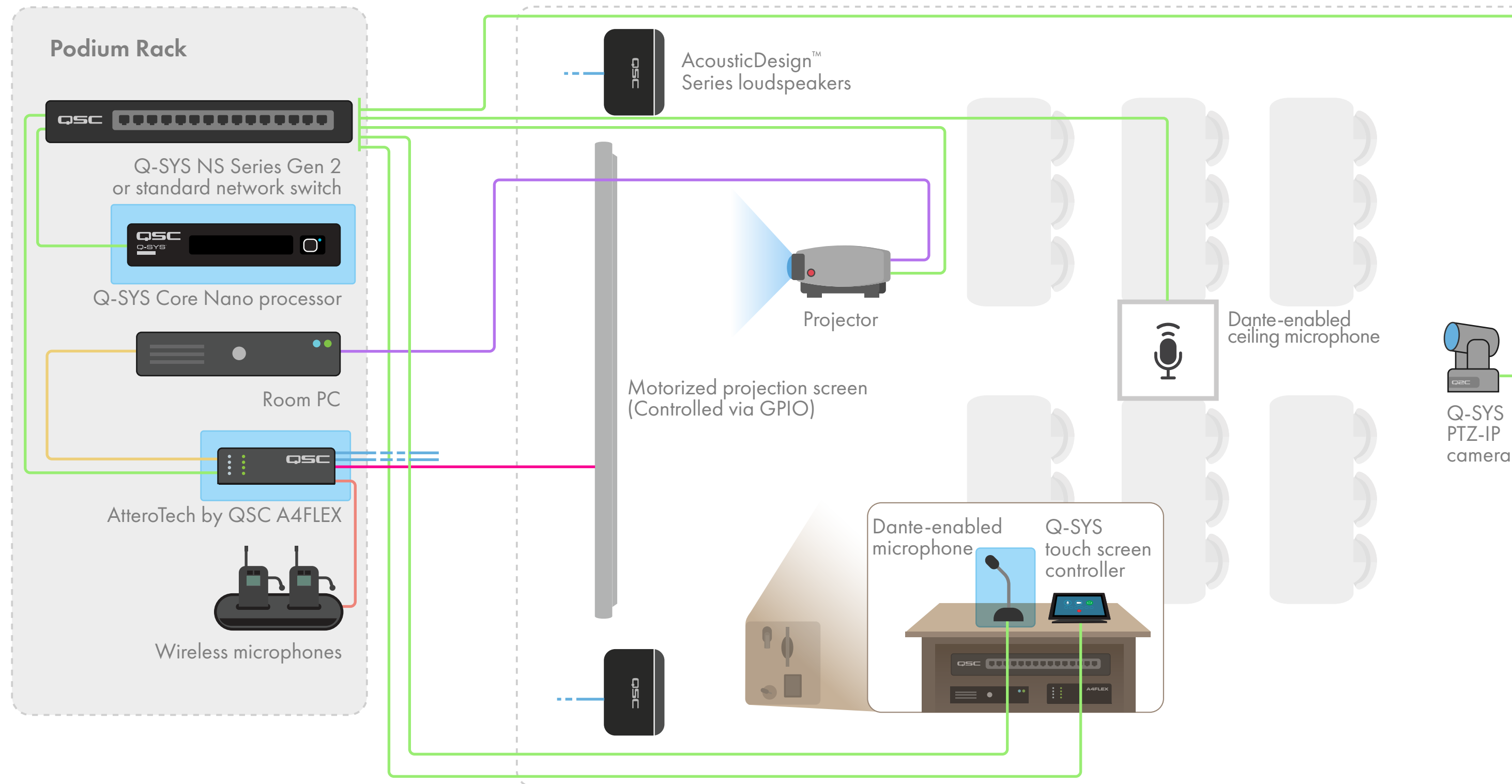
Mic/Line

HDMI

USB 2.0 or Higher

Loudspeaker

GPIO



With the Q-SYS Core Nano + Attero Tech by QSC A4Flex:

- An alternative to the Q-SYS Core 110f processor + SPA Series amplifier with right-sized I/O for the space.
- Plenty of network channel capacity to manage the audio, video and control processing for the space.
- The A4Flex integrates analog devices, along with its integrated power amplifier for the room's loudspeakers.

Unleash the Nano.

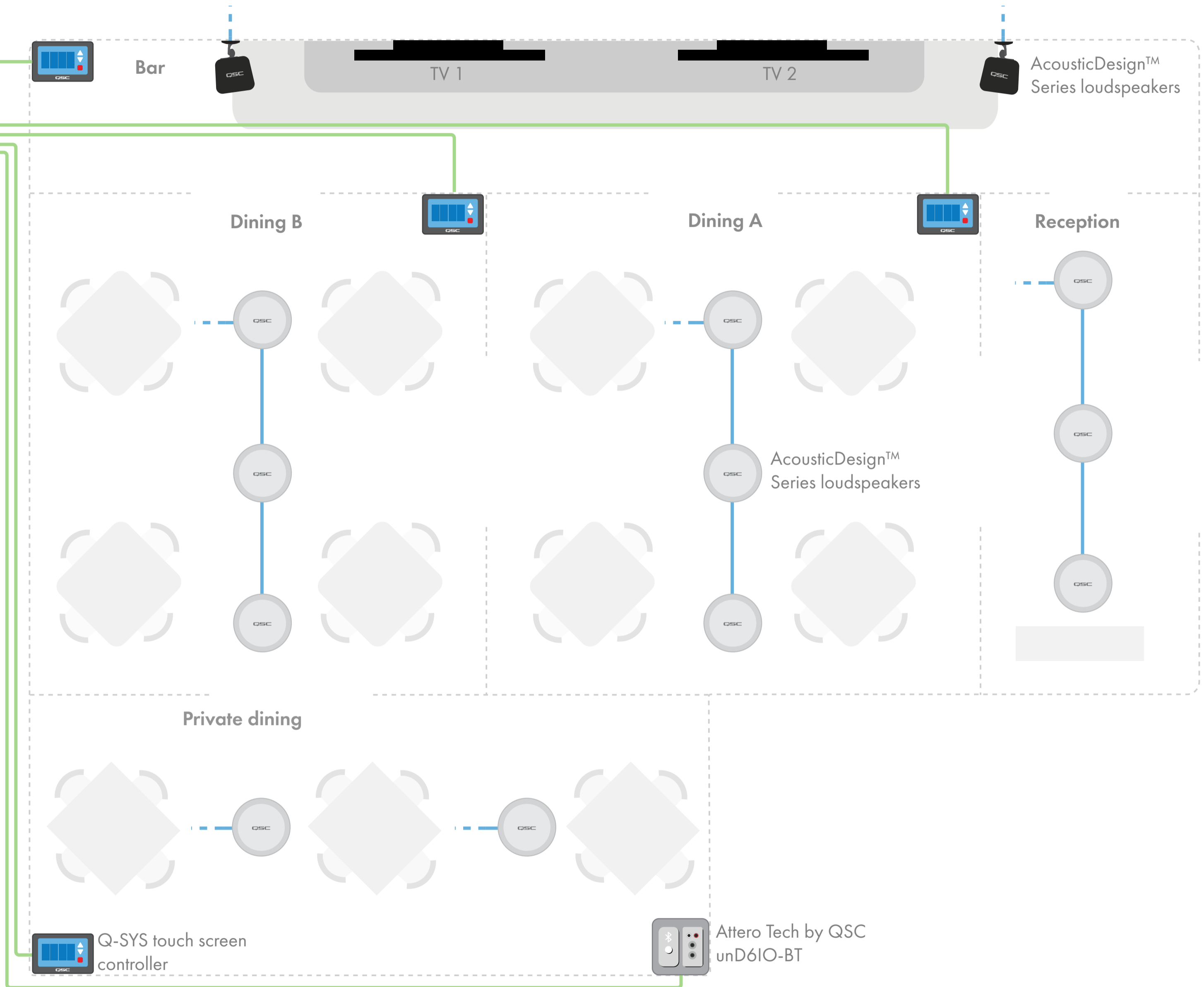
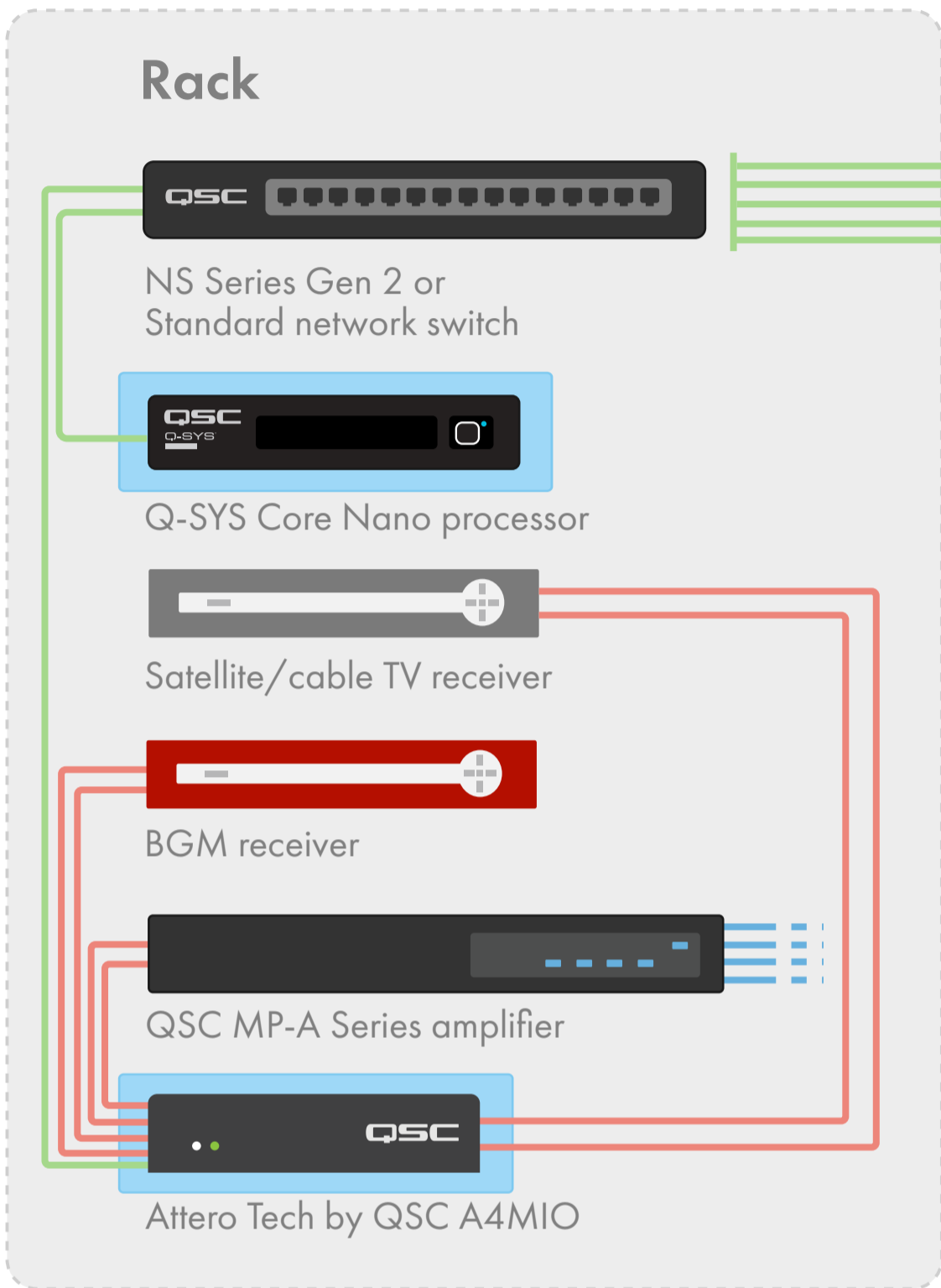
Q-SYS Core Nano (purely network I/O processor) with distributed I/O endpoints

Hospitality / Restaurant

Standard CAT-5/6

Mic/Line

Loudspeaker



With the Q-SYS Core Nano + Attero Tech by QSC A4Mio:

- An alternative to the Q-SYS Core110f processor + SPA Series amplifier with right-sized I/O for the space.
- Plenty of network channel capacity to manage the audio, video and control processing for the space.
- A4Mio to integrate analog audio devices.