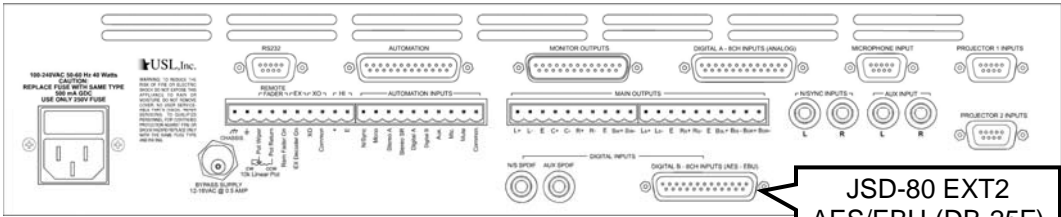


# JSD-80D DIGITAL AES/EBU INTERFACE TO DIGITAL CINEMA SERVER WITH DCI STANDARD PINOUT

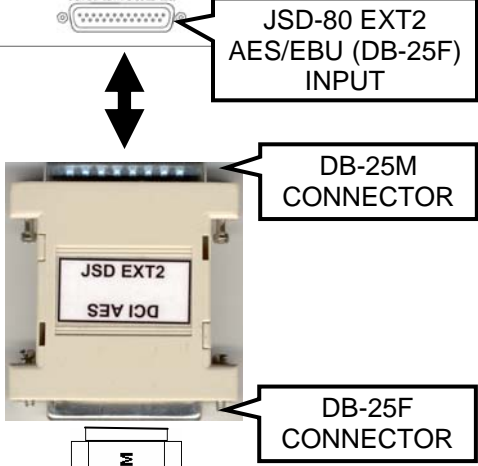
JSD-80D PIC Firmware Version 060526  
(or Later) is Required for Correct  
AES/EBU Digital Signal Input. For the  
Latest PIC Firmware Version Contact  
USL INC Tech Support.

## JSD-80D (Back Panel View)



See Table 1 for JSD-80D &  
DCI / IEEE AES/EBU Pin  
Outs.

## DCI-DPC (Pin Changer)



Cable Connection  
Between DCI-DPC  
& DCI Server

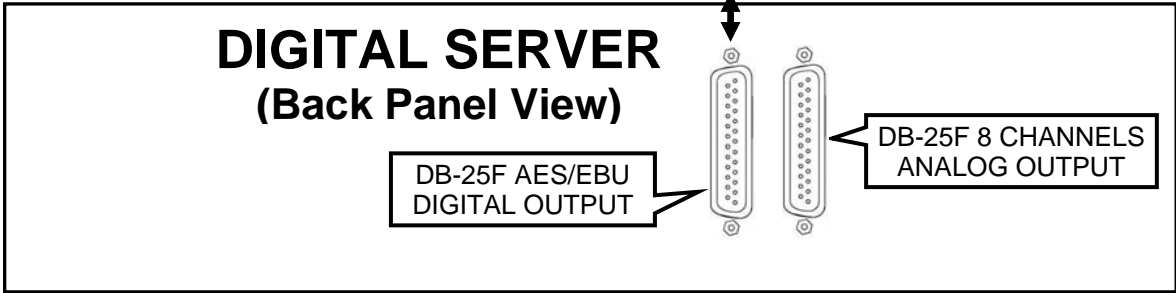


Table 1. JSD-80D AES/EBU (DB-25F) to Digital Server (DCI/IEEE STD) AES/EBU (DB-25F) Pin Out Chart.

Pin Number	JSD-80 EXT2 AES/EBU (DB-25F)	Digital Server (DCI/IEEE STD) AES/EBU (DB-25F)
1	L/R/Return	N/C
2	L/R -	N/C
3	C/SW+	N/C
4	C/SW Return	N/C
5	Ls/Rs-	N/C
6	Lc/Rc +	N/C
7	GND	Lc/Rc +
8	N/C	GND
9	GND	Ls/Rs -
10	N/C	C/LFE + (SW)
11	N/C	GND
12	GND	L/R -
13	N/C	N/C
14	L/R +	N/C
15	Ls/Rs Return	N/C
16	C/SW-	N/C
17	Ls/Rs+	N/C
18	Lc/Rc Return	N/C
19	Lc/Rc -	N/C
20	GND	Lc/Rc -
21	N/C	Ls/Rs +
22	N/C	GND
23	GND	C/LFE - (SW)
24	N/C	L/R +
25	N/C	GND