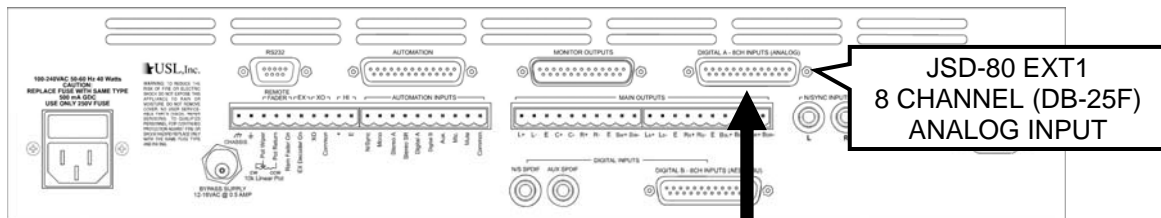


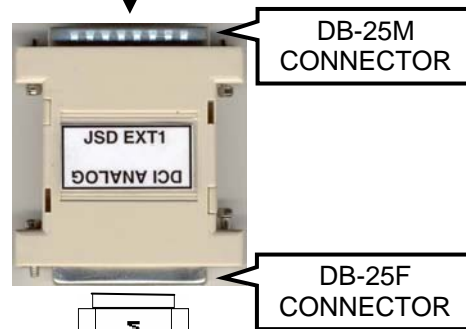
JSD-80L 8 CHANNEL ANALOG INTERFACE TO DIGITAL CINEMA SERVER WITH DCI STANDARD PINOUT

JSD-80L (Back Panel View)

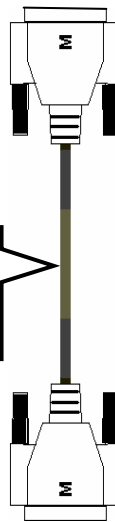


See Table 1 for JSD-80L & DCI / IEEE Analog Pin Outs.

DCI-APC (Pin Changer)



Cable Connection
Between DCI-APC
& DCI Server



DIGITAL SERVER (Back Panel View)

DB-25F AES/EBU
DIGITAL OUTPUT

DB-25F 8 CHANNEL
ANALOG OUTPUT

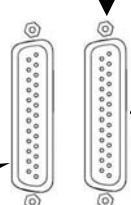


Table 1. JSD-80L 8 Channel Analog (DB-25F) to Digital Server (DCI/IEEE STD) Analog (DB-25F) Pin Out Chart.

Pin Number	JSD-80 Analog EXT1 (DB-25F)	Digital Server (DCI/IEEE STD) Analog (DB-25F)
1	GND	Rc plus
2	In Rs	GND
3	GND	Lc minus
4	GND	Rs plus
5	GND	GND
6	GND	Ls minus
7	GND	LFE (SW) plus
8	GND	GND
9	GND	C minus
10	GND	R plus
11	GND	GND
12	GND	L minus
13	GND	N/C
14	In L	Rc minus
15	In Ls	Lc plus
16	In Rc	GND
17	In R	Rs minus
18	In Lc	Ls plus
19	GND	GND
20	In C	LFE (SW) minus
21	Reserved	C plus
22	GND	GND
23	GND	R minus
24	In SW (LFE)	L plus
25	N/C	GND