



AcousticDesign™ Multi-Use Loudspeaker

AD-S52 and AD-S52T

All-Weather 133 mm (5.25") two-way with shielded woofer and neodymium tweeter
"T" suffix models: 70V/100V transformer equipped (bypassable)

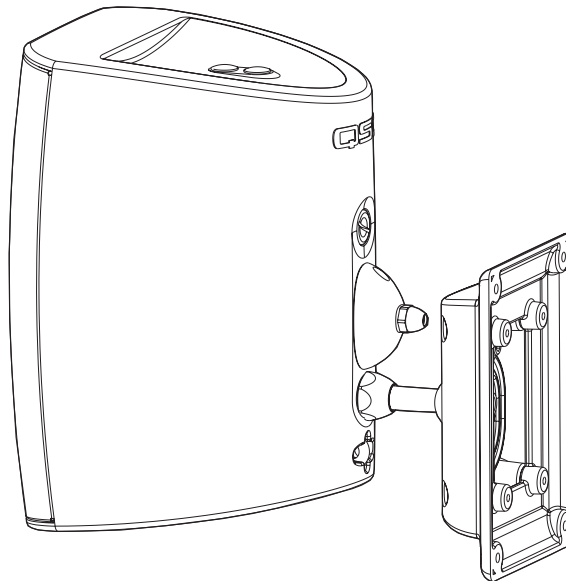
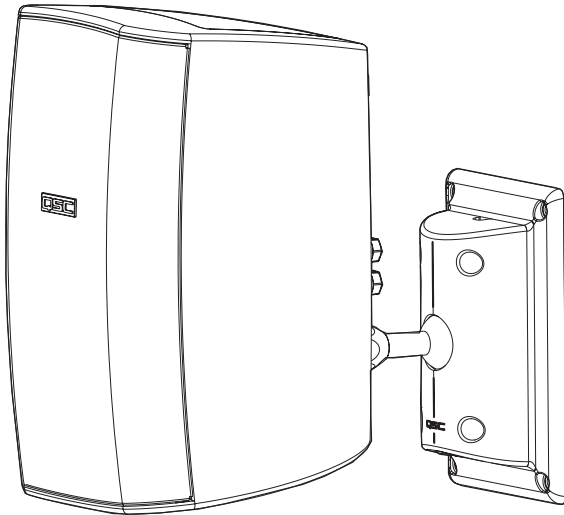
User Manual **EN**

Manual para el Usuario **ES**

Manuel d'utilisation **FR**

Benutzerhandbuch **DE**

用户手册 **CH**



TD-000139-00 rev.C



IMPORTANT SAFETY PRECAUTIONS & EXPLANATION OF SYMBOLS

- 1- Read these instructions.
- 2- Keep these instructions.
- 3- Heed all warnings.
- 4- Follow all instructions.
- 5- Clean only with a dry cloth.
- 6- Install in accordance with QSC Audio Product's instructions and a licensed, professional engineer.
- 7- Do not install near any heat sources such as radiators, heat registers, stoves, or other apparatus (including amplifiers) that produce heat.
- 8- Only use attachments/accessories from QSC Audio Products, Inc.
- 9- Use only with mounts or brackets specified by QSC Audio Products.
- 10- Refer all servicing to qualified personnel. Servicing is required when the apparatus has been damaged in any way.



The lightning flash with arrowhead symbol within an equilateral triangle is intended to alert the user to the presence of uninsulated "dangerous" voltage within the product's enclosure that may be of sufficient magnitude to constitute a risk of electric shock to humans.



The exclamation point within an equilateral triangle is intended to alert the user to the presence of important operating and maintenance (servicing) instructions in this manual.



WARNING! Before placing, installing, rigging, or suspending any speaker product, inspect all hardware, suspension, cabinets, transducers, brackets and associated equipment for damage. Any missing, corroded, deformed or non-load rated component could significantly reduce the strength of the installation, placement, or array. Any such condition severely reduces the safety of the installation and should be immediately corrected. Use only hardware which is rated for the loading conditions of the installation and any possible short-term unexpected overloading. Never exceed the rating of the hardware or equipment. Consult a licensed, professional engineer when any doubt or questions arise regarding a physical equipment installation.

Warranty (USA only; other countries, see your dealer or distributor)

Disclaimer

QSC Audio Products, Inc. is not liable for any damage to amplifiers, or any other equipment that is caused by negligence or improper installation and/or use of this loudspeaker product.

QSC Audio Products 3 Year Limited Warranty

QSC Audio Products, Inc. ("QSC") guarantees its products to be free from defective material and / or workmanship for a period of three (3) years from date of sale, and will replace defective parts and repair malfunctioning products under this warranty when the defect occurs under normal installation and use - provided the unit is returned to our factory or one of our authorized service stations via pre-paid transportation with a copy of proof of purchase (i.e., sales receipt). This warranty provides that the examination of the return product must indicate, in our judgment, a manufacturing defect. This warranty does not extend to any product which has been subjected to misuse, neglect, accident, improper installation, or where the date code has been removed or defaced. QSC shall not be liable for incidental and/or consequential damages. This warranty gives you specific legal rights. This limited warranty is freely transferable during the term of the warranty period.

Customer may have additional rights, which vary from state to state.

In the event that this product was manufactured for export and sale outside of the United States or its territories, then this limited warranty shall not apply. Removal of the serial number on this product, or purchase of this product from an unauthorized dealer, will void this limited warranty.

Periodically, this warranty is updated. To obtain the most recent version of QSC's warranty statement, please visit www.qscaudio.com.

Contact us at 800-854-4079 or visit our website at www.qscaudio.com.

© Copyright 2004, QSC Audio Products, Inc.

QSC® is a registered trademark of QSC Audio Products, Inc.

"QSC" and the QSC logo are registered with the U.S. Patent and Trademark Office

Introduction

Thank you and congratulations on your purchase of the AcousticDesign AD-S52 multi-use, weather resistant loudspeakers. These products represent the state-of-the-art in all-weather, lightweight SR (sound reinforcement) loudspeaker systems. To get the most from your investment, we encourage you to review this manual carefully.

The AD-S52 loudspeaker systems are full range, high output, two-way designs delivering superior sound quality and high SPL in a lightweight, weather resistant enclosure. The low frequency driver is magnetically shielded and the neodymium high frequency driver has very little stray magnetic field, making the AD-S82 perfect for use near video monitors. The included ball mount provides secure and versatile installation. These loudspeakers make an excellent choice for a wide variety of SR applications.

AD-S52T models have a 70V/100V matching transformer and tap selector switch. The transformer may be bypassed.

The illustration (at right) highlights product features:

- 1- two sets of threaded inserts for optional YM-5 yoke mount
- 2- transformer tap selector (AD-S52T model only)
- 3- binding post input terminals (weather resistant cover removed)
- 4- ball mount attachment point (ball mount removed)
- 5- safety cable attachment point

What's Included

The carton contains:

- AD-S52 (or AD-S52T) loudspeaker assembly (2 each)
- Ball mount assembly (2 each)
- 6 mm hex key (Allen wrench)
- Input cover (2 each)
- Input cover gasket (2 each, may be part of cover)
- Input strain relief bushing (2 each, may be part of cover)
- M4 x 1.4 x 15 mm long pan head Phillips screw (4 ea., for covers)
- This User Manual

Mounting

Stand Alone Mounting

If using the loudspeaker only (no ball mount or optional yoke mount) the loudspeaker can be set on any appropriate surface. The cabinet will lean back at a slight angle when set on a flat surface.

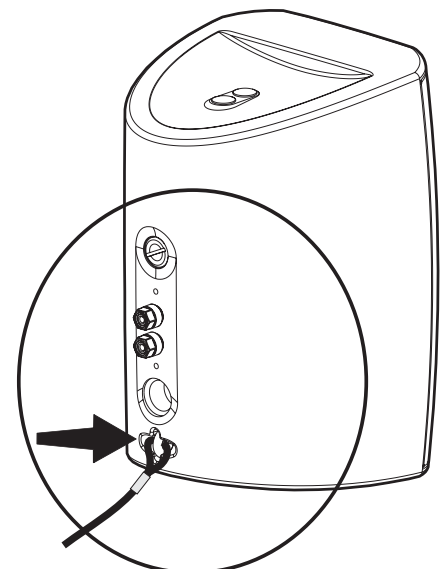
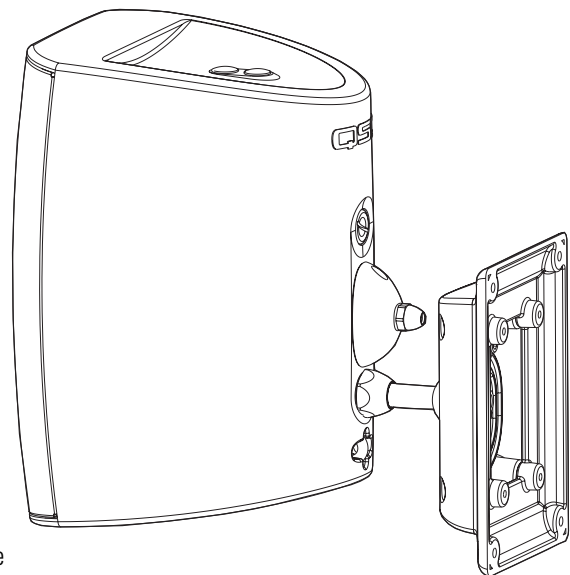
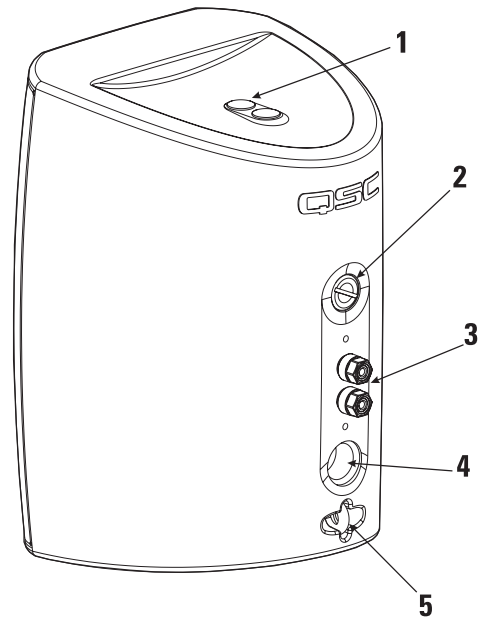
When operated at high output levels, the cabinet can vibrate, causing the cabinet to move or creep if set on a hard surface. Use anti-slip matting under the cabinet or self-adhesive rubber feet to keep the cabinet from creeping.

Safety Cable Attachment

On the back of the loudspeaker, near the bottom, is a safety cable attachment point. Install a safety cable strong enough to support several times the weight of the loudspeaker assembly in the event it may fall. The cable must be secured to a secondary support point which is also strong enough to support several times the loudspeaker's weight.



IMPORTANT! ENSURE THAT THE LOUDSPEAKER IS MOUNTED PROPERLY AND A SAFETY CABLE IS INSTALLED TO RETAIN THE LOUDSPEAKER IN THE EVENT OF A MOUNTING FAILURE.

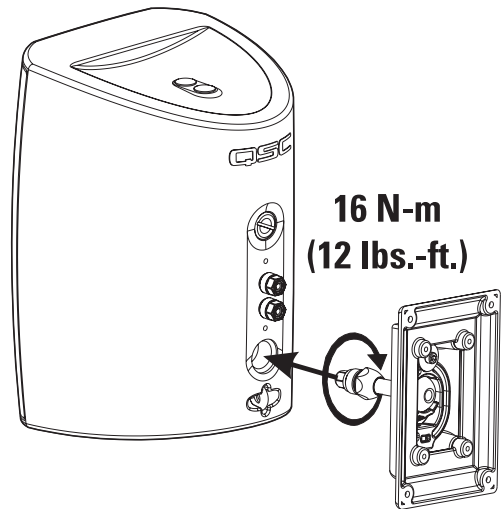


Mounting (continued)

Ball Mount Adapter

The included ball mount adapter can be attached to almost any flat surface. The ball mount adapter's back plate can be removed, if desired. This will reduce the overall depth of the assembly and the footprint of the mount on the wall.

To use the wall mount adapter, secure to the mounting surface using four screws. Ensure the mounting surface is sufficiently strong to support the loudspeaker and any vibration or seismic activity. Connect the wiring to the loudspeaker and install the terminal cover, if desired. Thread the adapter into the threaded insert on the bottom of the loudspeaker. Adjust the angle of the loudspeaker and tighten the hardware fully. We recommend 12 lbs.-ft (15 N-m) of tightening torque be applied to both fasteners.



Optional Yoke Mount

There is an optional yoke mount available, model YM-5. Contact your QSC Audio Products representative for details.

Connection

AD-S52 or AD-S52T?

Connection is the same for both models, but for the AD-S52T you must set the transformer Tap Selector Switch to the appropriate setting before applying audio.

Terminations

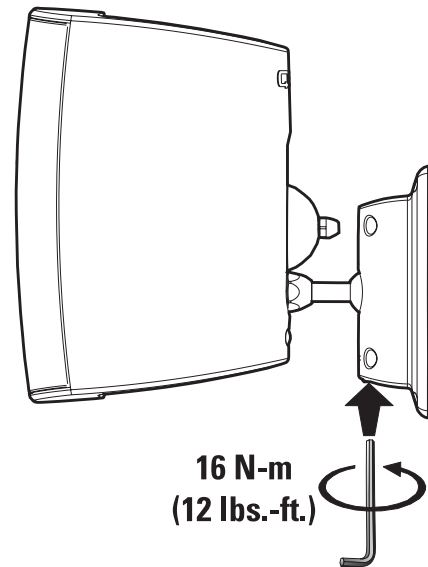
The binding post terminals will accept:

- bare wire (up to 0.15" or 3.8 mm diameter)
- spade lug terminals
- banana plugs (singles or dual 0.75" spaced)

Input Connection Cover (wire termination only)

The loudspeaker includes a weather resistant cover for the input terminals. For proper sealing, the cable jacket must be round (or close to round) and be between 0.12" (3mm) and 0.25" (6.3mm) outside diameter.

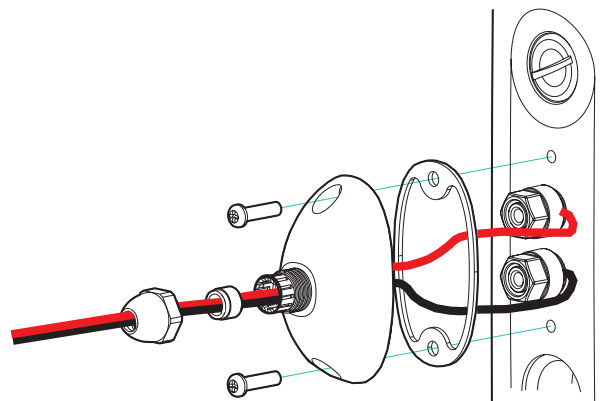
- Pass the wires through the compression nut, gasket, and cover.
- Loosen the binding post nuts.
- Strip the wires and insert into binding posts.
- Tighten nuts.
- Slide the cover over the terminals and secure using the two machine screws provided.
- Ensure gasket is seated properly; tighten compression nut.



To assure weather-tight connections, make sure the Input Cover fits flush against the loudspeaker cabinet, all gaskets are properly placed, and hardware is tightened sufficiently. Use of the Input Cover may require the use of smaller wire sizes for proper fit.



NOTE! You cannot use banana type connectors or spade lugs when the Input Connection Cover is used. Connect the wires directly to the terminals when using the Input Cover.

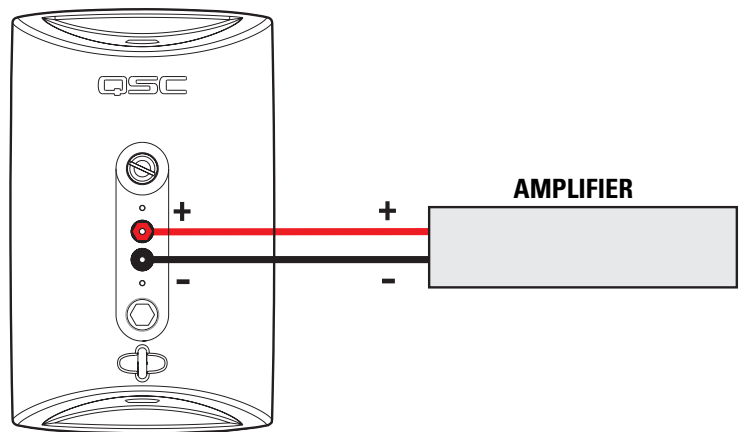


Wiring

Connect the amplifier's + and - outputs directly to the loudspeaker's + (red) and - (black) terminals. The binding post terminals accept wire, spade terminals, or banana plugs. Use only wire connections when using the Input Cover. The terminals are spaced 0.75" (19 mm).



Maintain proper speaker and amplifier connection polarity throughout the entire system. All positive-marked loudspeaker terminals should be connected to positive-marked amplifier output terminals. This will provide the best possible low-frequency output from your system.



EN

AD-S52T 70V/100V Transformer Tap Selection

AD-S52T models are equipped with a 70V/100V matching transformer for distributed audio systems. There is a transformer tap selector switch on the rear panel for setting the power level of the loudspeaker. The switch may also be set for 8 ohm operation, bypassing the transformer completely.

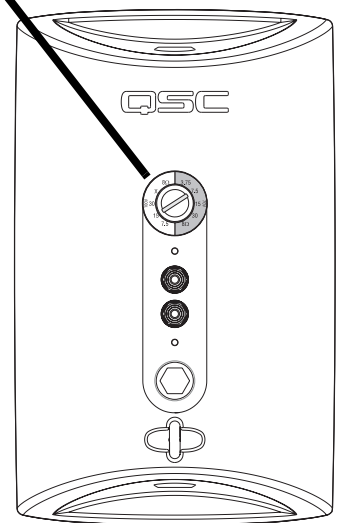
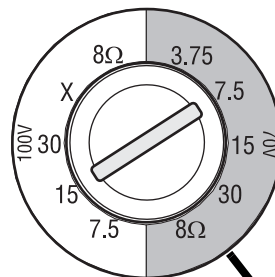
To select the power level, align the slot with the desired power setting number. Use a coin or flat tip screwdriver to operate the switch.

70V distributed systems: use the right side markings. Select from 3.75, 7.5, 15, or 30 watts.

100V distributed systems: use the left side markings. Select from 7.5, 15, or 30 watts. the "X" position should not be used.



NOTE! 8 ohm setting should be used for 8 ohm audio systems only. Do not use 8 ohm setting when connecting the AD-S52T loudspeaker to 70V/100V distributed audio systems.



Painting the Loudspeaker

The loudspeaker enclosure, grill, and mount can be painted to match any decor, provided the following precautions are observed. The cabinet is made of high impact polystyrene which requires controlled painting procedures in order to obtain good results. Use a paint "system" designed for high impact polystyrene from any reputable paint supplier.

- 1- Remove the grill.
- 2- If painting mount and loudspeaker as a unit: Attach the ball mount or yoke mount.
- 3- Mask the loudspeaker's input connector.
- 4- Mask the woofer, tweeter, and port being certain not to apply tape directly to the drivers. Alternatively, the inside of the grill can be completely masked and set in place on the loudspeaker enclosure for painting.
- 5- Wash the components to be painted with a mild soap and hot water. Be careful not to get water on or into either of the drivers or the input connections. Rinse with hot water. Allow to dry thoroughly.
- 6- Scuff-sand the components to be painted using red Scotchbrite® pad or 320 - 400 grit sandpaper.
- 7- Using compressed air, remove all dust from the components to be painted. Do not blow compressed air directly into either driver.
- 8- Clean the components to be painted.
- 9- Using a clean, lint-free, white cloth, wipe the components to be painted with suitable prep solution.
- 10- Apply adhesion promoter.
- 11- Apply primer topcoat.
- 12- Apply paint.
- 13- Allow to dry for at least 8 hours before handling.

Specifications

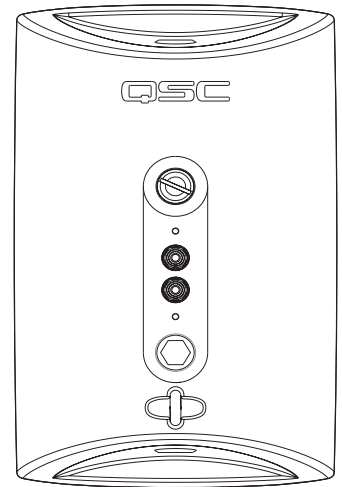
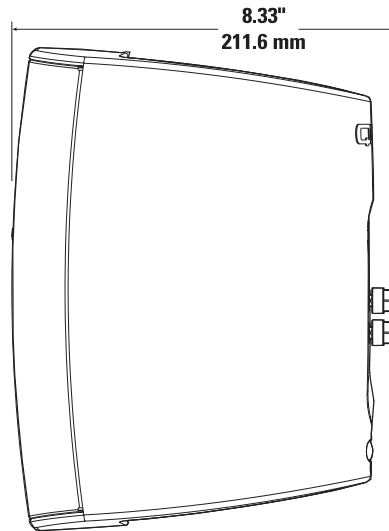
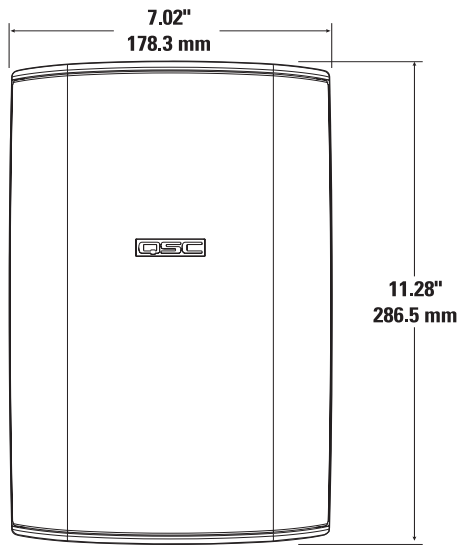
Frequency Response:	75- 19k Hz (-6 dB) 64- 20k Hz (-10 dB)
Drivers:	low frequency- 5.25" (133 mm) magnetically shielded high frequency- metallized dome, neodymium magnet structure
Maximum Output: (calculated)	105 dB SPL continuous rms output 111 dB SPL peak output
Impedance:	6 ohms nominal 6 ohms minimum, 286 Hz 33 ohms maximum, 2.2k Hz
Power Rating: rms (IEC 100 hrs): recommended amp power:	70 watts rms 140 watts rms
Sensitivity:	86.5 dB, 1 watt, 1 meter, free field (4 pi)
Directivity Index:	500 Hz 3.4 1000 Hz 5.5 2000 Hz 9.3 4000 Hz 7.9 8000 Hz 13.6 16000 Hz 6.8
Q:	500 Hz 2.2 1000 Hz 3.5 2000 Hz 8.6 4000 Hz 6.2 8000 Hz 23.0 16000 Hz 4.7
Weight per pair:	AD-S52: 15 lb. net, 22 lb. shipping AD-S52T: 18 lb. net, 25 lb. shipping
Nominal Coverage:	90° horizontal. x 60° vertical
Enclosure and Grill:	high impact polystyrene, removable metal grill
Connectors:	binding posts (accept up to 0.15" (3.8 mm) diameter wire, banana plugs, or spade lugs)
Mounting Hardware:	Included: ball mount adapter with variable wall plate configurations, alloy construction Optional: yoke mount with retaining knobs (model YM-5)

NOTES:

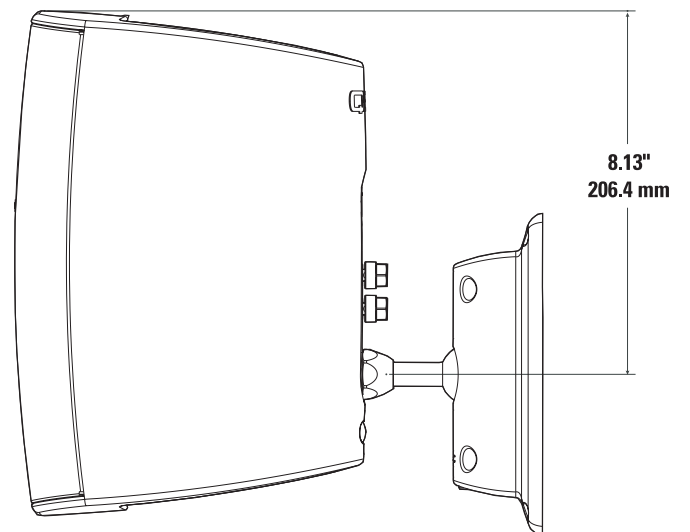
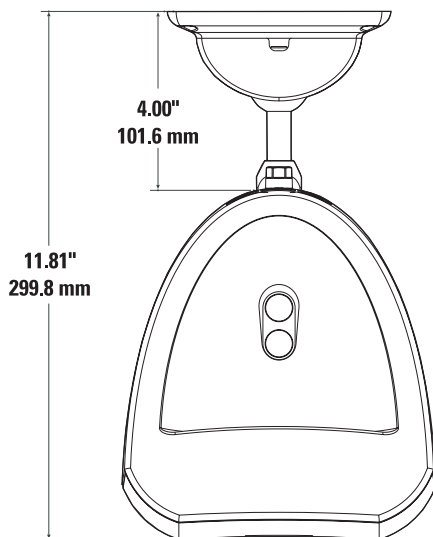
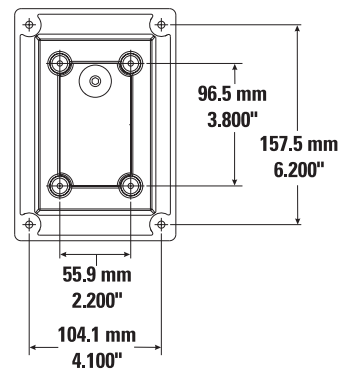
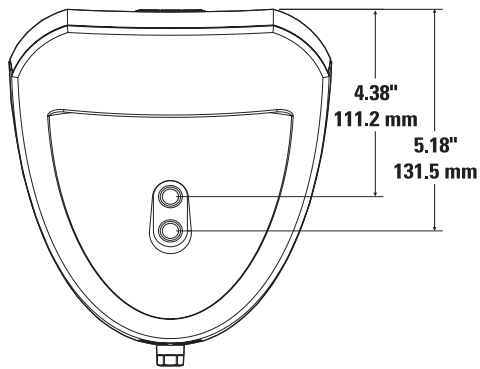
- 1- All frequency ranges specified refer to measured free-field response (4 pi).
- 2- Calculated maximum peak SPL at 1 m, free-field, speaker operating at rated rms power pink noise input, 50 Hz to 20 kHz.
- 3- Maximum input power tested in accordance with IEC recommendations; 50 Hz to 20 kHz band limiting, 6 dB signal crest factor.

Specifications are subject to change without notice.

Dimensions



EN



IMPORTANTES PRECAUCIONES DE SEGURIDAD Y EXPLICACIÓN DE LOS SÍMBOLOS

- 1- Lea estas instrucciones.
- 2- Conserve estas instrucciones.
- 3- Observe todas las advertencias.
- 4- Siga todas las instrucciones.
- 5- Limpie sólo con un paño seco.
- 6- Instale de acuerdo con las instrucciones de QSC Audio Product y de un ingeniero profesional licenciado.
- 7- No instale cerca de fuentes de calor tales como radiadores, registros térmicos, estufas ni otros aparatos (inclusive amplificadores) que produzcan calor.
- 8- Sólo use piezas y accesorios de QSC Audio Products, Inc.
- 9- Use sólo con accesorios de montaje o soportes especificados por QSC Audio Products.
- 10- Refiera todo el servicio a personal calificado. Cuando el aparato haya sido dañado de alguna manera, es necesario proporcionarle servicio.

ES



El símbolo del rayo con una punta de flecha dentro de un triángulo equilátero tiene la intención de alertar al usuario de la presencia de voltaje "peligroso" no aislado dentro de la caja del producto, que puede ser de magnitud suficiente para constituir un riesgo de descarga eléctrica a los seres humanos.



El signo de exclamación dentro de un triángulo equilátero tiene la intención de alertar al usuario de la presencia de importantes instrucciones de operación y mantenimiento (servicio) en este manual.



¡ADVERTENCIA! Antes de colocar, instalar, montar o suspender cualquier altavoz, inspeccione todo el herraje, dispositivos de suspensión, gabinetes, transductores, soportes y equipo asociado para verificar que estén en buenas condiciones. Cualquier componente faltante, corroido, deformado o sin carga nominal podría reducir significativamente la resistencia de la instalación, la colocación o la configuración. Cualquiera de tales condiciones reduce gravemente la seguridad de la instalación y se debe corregir inmediatamente. Use sólo herraje que esté clasificado para las condiciones de carga de la instalación y cualquier carga excesiva a corto plazo inesperada posible. Nunca exceda la clasificación del herraje ni del equipo. Consulte a un ingeniero profesional licenciado cuando surjan dudas o preguntas referentes a la instalación física del equipo.

Garantía (Sólo en EE.UU.; en otros países, consulte a su concesionario o distribuidor)

Liberación de responsabilidad

QSC Audio Products, Inc. no es responsable por ningún daño a los amplificadores, ni a ningún otro equipo que sea causado por negligencia o instalación y/o uso inadecuado de este altavoz.

Garantía limitada de 3 años de QSC Audio Products

QSC Audio Products, Inc. ("QSC") garantiza que sus productos estarán libres de materiales y/o mano de obra defectuosos por un periodo de tres (3) años a partir de la fecha de la venta, y reemplazará las piezas defectuosas y reparará los productos que funcionen mal bajo esta garantía cuando el defecto ocurra bajo condiciones normales de instalación y uso, siempre y cuando la unidad se devuelva a nuestra fábrica o a una de nuestras estaciones autorizadas de servicio mediante transportación prepagada con una copia del comprobante de compra (por ejemplo, el recibo de la compra). Esta garantía supone que el examen del producto devuelto debe indicar, a nuestro criterio, un defecto de fabricación. Esta garantía no se extiende a ningún producto que haya estado sujeto a mal uso, negligencia, accidente, instalación inadecuada o cuando el código de la fecha se ha quitado o desfigurado. QSC no será responsable por daños incidentales ni resultantes. Esta garantía le otorga derechos legales específicos. Esta garantía limitada se puede transferir libremente durante el término del periodo de la garantía.

El cliente puede tener derechos adicionales, que dependen del estado en que resida.

En el caso de este producto se haya fabricado para su exportación y venta fuera de Estados Unidos o de sus territorios, entonces esta garantía limitada no aplicará. La remoción del número de serie de este producto, o la compra de este producto de un concesionario no autorizado, anulará esta garantía limitada.

Periódicamente se actualiza esta garantía. Para obtener la versión más reciente de la declaración de garantía de QSC, por favor visite www.qscaudio.com.

Comuníquese con nosotros al 800-854-4079 o visite nuestro sitio Web en www.qscaudio.com.

© Derechos de autor 2004, QSC Audio Products, Inc.

QSC® es una marca comercial registrada de QSC Audio Products, Inc.

"QSC" y el logo QSC están registrados con la Oficina de Patentes y Marcas Comerciales de EE.UU.

Introducción

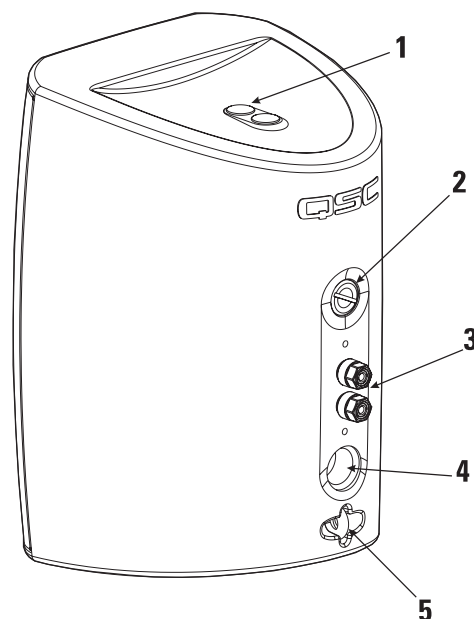
Muchas gracias y felicitaciones por la compra de los altavoces AcousticDesign AD-S52 de múltiple uso, resistentes a la intemperie. Estos productos representan lo más avanzado en sistemas de altavoces SR (con refuerzo de sonido), ligeros y resistentes a la intemperie. Para obtener el mejor provecho de su inversión, le recomendamos que revise detenidamente este manual.

Los sistemas de altavoces AD-S52 ofrecen un diseño bidireccional de amplitud total y salida alta que proporciona un sonido de calidad superior y un alto nivel de presión sonora (SPL) en una caja ligera, resistente a la intemperie. El excitador de baja frecuencia está blindado magnéticamente y el excitador de neodimio de alta frecuencia tiene muy poca dispersión magnética, lo que hace que el AD-S82 sea perfecto para usarse en monitores de vídeo. El montaje de esfera incluido permite una instalación segura y versátil. Estos altavoces son una excelente selección para una amplia variedad de aplicaciones SR.

Los modelos AD-S52T tienen un transformador de adaptación de 70V/100V y un conmutador selector de derivaciones. El transformador se puede derivar.

La ilustración (a la derecha) resalta las características del producto:

- 1- dos juegos de accesorios roscados para el montaje opcional en horquilla YM-5
- 2- selector de derivación del transformador (sólo modelo AD-S52T)
- 3- terminales de entrada con bornes de conexión (sin la cubierta de protección contra la intemperie)
- 4- punto de conexión del montaje de esfera (sin el montaje de esfera)
- 5- punto de conexión del cable de seguridad

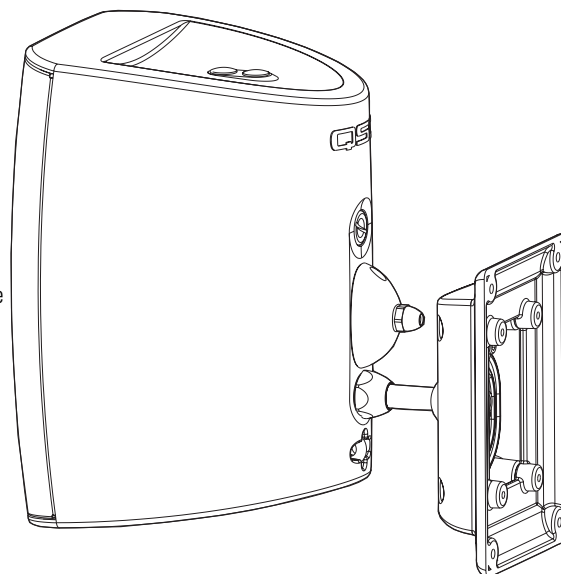


ES

Qué se incluye

La caja contiene:

- Conjunto de altavoces AD-S52 (o AD-S52T) (2 de cada uno)
- Conjunto del montaje de esfera (2 de cada uno)
- Llave hexagonal de 6 mm (llave Allen)
- Cubierta de la entrada (2 de cada una)
- Junta de la cubierta de la entrada (2 de cada una, puede ser parte de la cubierta)
- Manguito de alivio de tensión de la entrada (2 de cada uno, puede ser parte de la cubierta)
- Tornillo Phillips de cabeza troncocónica M4 x 1.4 x 15 mm de largo (4 de cada uno, para las cubiertas)
- Este Manual para el Usuario



Montaje

Montaje autónomo

Si se va a usar el altavoz solo (sin el montaje de esfera ni el montaje en horquilla) el altavoz se puede colocar en cualquier superficie apropiada. El gabinete se inclinará hacia atrás en un ligero ángulo cuando se lo coloque sobre una superficie plana.

Cuando se opera a niveles altos de salida, el gabinete puede vibrar, y se puede mover o deslizar cuando está colocado sobre una superficie rígida. Use un tapete antideslizante debajo del gabinete o unas patas de caucho autoadhesivas para evitar el deslizamiento del gabinete.

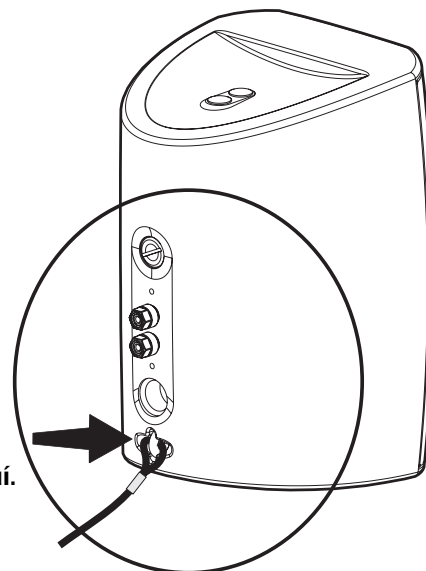
Conexión del cable de seguridad

En la parte posterior del altavoz, cerca de la parte inferior, se encuentra un punto de conexión del cable de seguridad. Instale un cable de seguridad lo suficientemente fuerte como para que soporte varias veces el peso del conjunto del altavoz en caso de que se caiga. El cable debe estar asegurado a un punto de apoyo secundario que también debe ser lo suficientemente fuerte para soportar varias veces el peso del altavoz.



¡IMPORTANTE! ASEGÚRESE DE QUE EL ALTAVOZ ESTÉ MONTADO ADECUADAMENTE Y QUE EL CABLE DE SEGURIDAD ESTÉ INSTALADO PARA RETENER EL ALTAVOZ EN CASO DE UNA FALLA EN EL MONTAJE.

Adjunte el cable de seguridad aquí.

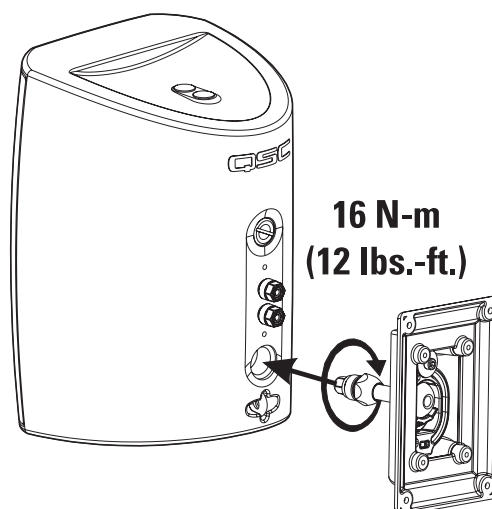


Montaje (continuación)

Adaptador del montaje de esfera

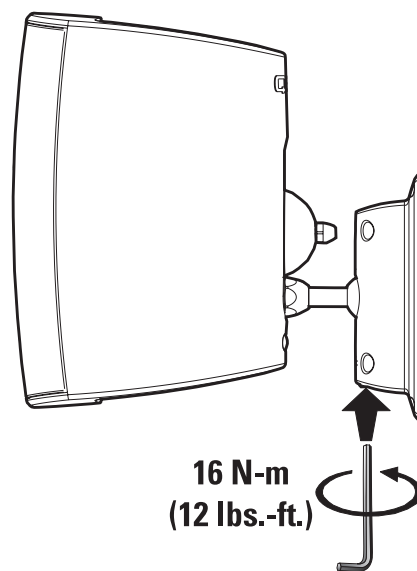
El adaptador del montaje de esfera que se incluye se puede instalar en casi cualquier superficie plana. La placa posterior del adaptador del montaje de esfera se puede quitar si se desea. Esto reducirá la profundidad total del conjunto y el espacio que ocupa el montaje en la pared.

Para usar el adaptador del montaje en la pared, fíjelo en la superficie de montaje con cuatro tornillos. Asegúrese de que la superficie de montaje sea suficientemente resistente como para soportar el altavoz y cualquier vibración o actividad sísmica. Conecte el cableado al altavoz e instale la cubierta del terminal, si lo desea. Enrosque el adaptador en el conector roscado que se encuentra en la parte inferior del altavoz. Ajuste el ángulo del altavoz y apriete completamente el herraje. Recomendamos que se aplique un par de apriete de 12 libras-pies (15 N-m) a ambos sujetadores.



Montaje en horquilla opcional

Hay disponible un montaje en horquilla opcional, el modelo YM-5. Comuníquese con su representante de QSC Audio Products para solicitar detalles.



Conexión

¿AD-S52 o AD-S52T?

La conexión es la misma para ambos modelos, pero para el modelo AD-S52T debe ajustar el conmutador selector de derivación del transformador en el ajuste apropiado antes de aplicar el audio.

Terminaciones

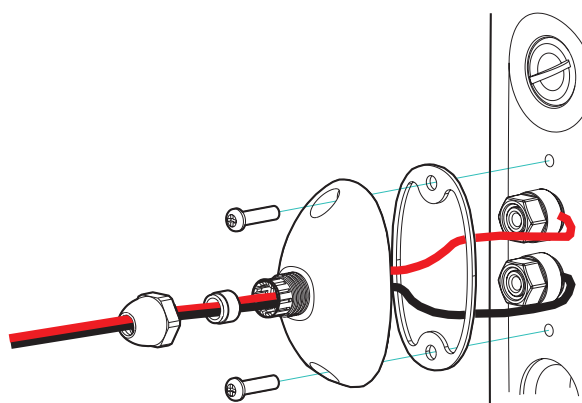
Los terminales con bornes de conexión aceptarán:

- alambre desnudo (de hasta 0.15" o 3.8 mm de diámetro)
- terminales de lengüeta de pala
- clavijas banana (simples o dobles con separación de 0.75")

Cubierta de la conexión de entrada (sólo la terminación del alambre)

El altavoz incluye una cubierta de protección contra la intemperie para los terminales de entrada. Para un sellado adecuado, la vaina del cable debe ser redonda (o casi redonda) y tener un diámetro externo entre 0.12" (3 mm) y 0.25" (6.3 mm).

- Pase los cables a través de la tuerca de compresión, la junta y la cubierta.
- Afloje las tuercas de los bornes de conexión.
- Quite aislamiento de los cables e introdúzcalos en los bornes de conexión.
- Apriete las tuercas.
- Deslice la cubierta sobre los terminales y fíjela usando los dos tornillos para metales que se proporcionan.
- Asegúrese de que la junta esté asentada adecuadamente; apriete la tuerca de compresión.



Para que las conexiones sean a prueba de intemperie, asegúrese de que la cubierta de la entrada se ajuste al ras del gabinete del altavoz, que todas las juntas estén bien asentadas y que el herraje esté bien apretado. El uso de la cubierta de la entrada puede requerir el uso de cables de menor tamaño para lograr un ajuste adecuado.



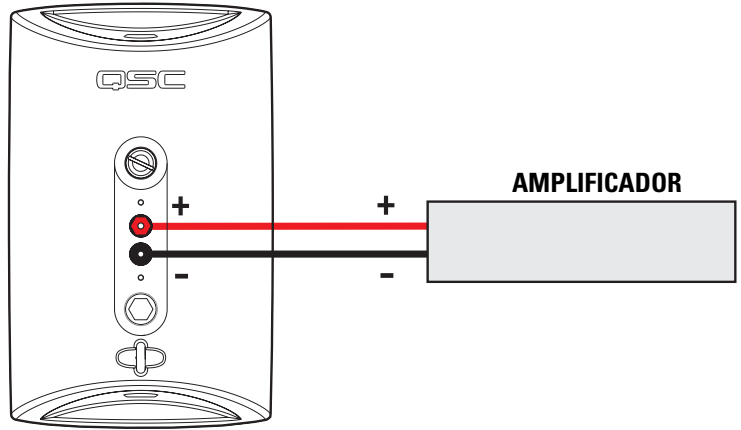
¡NOTA! No puede usar conectadores tipo banana ni tipo lengüeta de pala cuando use la cubierta de la conexión de entrada. Conecte los cables directamente en los terminales cuando use la cubierta de la entrada.

Cableado

Conecte las salidas + y - del amplificador directamente a los terminales + (rojo) y - (negro) del altavoz. Los terminales con bornes de conexión aceptan alambre, terminales de pala o clavijas banana. Use sólo conexiones de alambre cuando use la cubierta de la entrada. Los terminales están separados 0.75" (19 mm).



Mantenga la polaridad adecuada de las conexiones del altavoz y del amplificador en todo el sistema. Todos los terminales del altavoz que están marcados como positivos se deben conectar a todos los terminales de salida del amplificador que están marcados como positivos. Esto proporcionará la mejor salida de baja frecuencia posible de su sistema.



Selección de derivación del transformador AD-S52T 70V/100V

Los modelos AD-S52T están equipados con un transformador de adaptación de 70V/100V para sistemas de audio distribuido. En el panel posterior se encuentra un conmutador selector de derivación del transformador para ajustar el nivel de potencia del altavoz. Este conmutador también se puede ajustar para operar a 8 ohmios, desviando completamente el transformador.

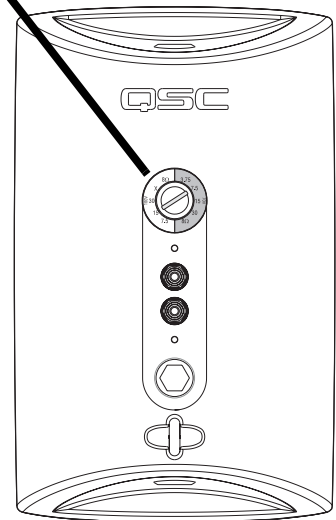
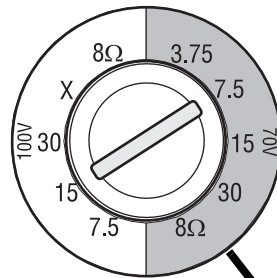
Para seleccionar el nivel de potencia, alinee la ranura con el número deseado de ajuste de potencia. Use una moneda o un destornillador de punta plana para operar el conmutador.

Sistemas distribuidos de 70 V: use las marcas del lado derecho. Seleccione entre 3.75, 7.5, 15 ó 30 vatios.

Sistemas distribuidos de 100 V: use las marcas del lado izquierdo. Seleccione entre 7.5, 15 ó 30 vatios. No se debe usar la posición "X".



¡NOTA! El ajuste de 8 ohmios sólo se debe usar para sistemas de audio de 8 ohmios. No use el ajuste de 8 ohmios cuando conecte el altavoz AD-S52T a sistemas de audio distribuido de 70V/100V.



Pintura del altavoz

La caja, la parrilla y el montaje del altavoz se pueden pintar para coincidir con cualquier decoración, siempre y cuando se observen las siguientes precauciones. El gabinete está hecho de poliestireno de alto impacto que requiere procedimientos controlados de pintura para obtener buenos resultados. Use un "sistema" de pintura diseñado para poliestireno de alto impacto de cualquier proveedor de pinturas de prestigio.

- 1- Retire la parrilla.
- 2- Si va a pintar el montaje y el altavoz como una unidad: instale el montaje de esfera o el montaje en horquilla.
- 3- Proteja el conector de entrada del altavoz.
- 4- Proteja el altavoz de graves, el altavoz de agudos y el puerto asegurándose de no colocar cinta directamente en los excitadores. Alternativamente, el interior de la parrilla se puede proteger completamente y colocarse en su lugar en la caja del altavoz para pintarse.
- 5- Lave con jabón y agua caliente los componentes que se van a pintar. Tenga cuidado de no verter agua en ni dentro de los excitadores ni en las conexiones de entrada. Enjuague con agua caliente. Permita que se sequen completamente.
- 6- Lije los componentes que se van a pintar con una almohadilla Scotchbrite® roja o con papel de lija de grano 320 - 400.
- 7- Usando aire comprimido, elimine todo el polvo de los componentes que se van a pintar. No aplique aire comprimido directamente en ningún excitador.
- 8- Limpie los componentes que se van a pintar.
- 9- Con un paño blanco, limpio y sin pelusa, limpie los componentes que se van a pintar con una solución de preparación adecuada.
- 10- Aplique un promotor de adhesión.
- 11- Aplique la capa superior de imprimador.
- 12- Aplique la pintura.
- 13- Permita que se seque durante al menos 8 horas antes de manejarlo.

Especificaciones

Respuesta de frecuencia:	75- 19k Hz (-6 dB) 64- 20k Hz (-10 dB)
Excitadores:	baja frecuencia- 5.25" (133 mm) protegidos magnéticamente alta frecuencia - domo metalizado, estructura con imán de neodimio
Salida máxima: (calculada)	salida rms continua de SPL105 de dB salida máxima de SPL de 111 dB
Impedancia:	6 ohmios nominales 6 ohmios mínimo, 286 Hz 33 ohmios máximo, 2.2k Hz
Potencia nominal: rms (IEC 100 hrs): potencia recomendada del amp:	70 vatios rms 140 vatios rms
Sensibilidad:	86.5 dB, 1 vatio, 1 metro, campo libre (4 pi)
Índice de directividad:	500 Hz 3.4 1000 Hz 5.5 2000 Hz 9.3 4000 Hz 7.9 8000 Hz 13.6 16000 Hz 6.8
Q:	500 Hz 2.2 1000 Hz 3.5 2000 Hz 8.6 4000 Hz 6.2 8000 Hz 23.0 16000 Hz 4.7
Peso por par:	AD-S52: 15 lb. neto, 22 lb. de envío AD-S52T: 18 lb. neto, 25 lb. de envío
Cobertura nominal:	90° horizontal. x 60° vertical
Caja y rejilla:	poliestireno de alto impacto, rejilla de metal removible
Conectores:	bornes de conexión (acepta alambre de hasta 0.15" (3.8 mm) de diámetro, clavijas banana o lengüetas de pala)
Herraje de montaje:	Se incluye: adaptador para montaje de esfera con configuraciones variables de la placa para la pared, construcción de aleación Opcional: montaje en horquilla con perillas de retención (modelo YM-5)

NOTAS:

- 1- Todas las amplitudes de frecuencia especificadas se refieren a la respuesta medida en campo libre (4 pi).
- 2- Pico máximo calculado SPL a 1 m, campo libre, altavoz operando a la entrada de ruido rosa de potencia rms nominal, 50 Hz a 20 kHz.
- 3- Potencia de entrada máxima probada de acuerdo con las recomendaciones de IEC; límite de banda de 50 Hz a 20 kHz, factor de cresta de señal de 6 dB.

Dimensiones, vea la p.7.

Las especificaciones están sujetas a cambio sin previo aviso.

CONSIGNES IMPORTANTES DE SÉCURITÉ ET EXPLICATION DES SYMBOLES

- 1- Lire ces instructions.
- 2- Conserver ces instructions.
- 3- Respecter tous les avertissements.
- 4- Suivre toutes les instructions.
- 5- Nettoyer uniquement avec un chiffon sec.
- 6- Installer conformément aux instructions de QSC Audio Products et d'un technicien professionnel diplômé.
- 7- N'installer à proximité d'aucune source de chaleur comme des radiateurs, des registres de chaleur, des poêles ou d'autres appareils (y compris des amplis) qui dégagent de la chaleur.
- 8- Utiliser uniquement des accessoires de marque QSC Audio Products, Inc.
- 9- Utiliser uniquement avec des supports ou équerres spécifiés par QSC Audio Products.
- 10- Confier toutes les réparations à un personnel qualifié. Une réparation ou maintenance est requise lorsque l'appareil a été endommagé d'une manière quelconque.



L'éclair fléché situé dans un triangle équilatéral a pour objet de signaler à l'utilisateur la présence d'une tension « dangereuse » non isolée dans le boîtier du produit suffisante pour présenter un risque d'électrocution pour l'homme.



Le point d'exclamation dans un triangle équilatéral a pour objet de signaler à l'utilisateur la présence d'instructions importantes d'utilisation et de maintenance (réparation) dans ce manuel.



AVERTISSEMENT ! Avant de placer, installer, monter ou suspendre un haut-parleur, inspecter l'état de toute la visserie, du matériel de suspension, des armoires, des transducteurs, des supports et du matériel associé. Tout composant manquant, corrodé, déformé ou non adapté à la charge risque de réduire sensiblement la solidité de l'installation, sa mise en place ou sa portée. Une telle condition réduit sensiblement la sécurité de l'installation et doit être immédiatement corrigée. Utiliser uniquement du matériel de montage prévu pour les conditions de charge de l'installation et toute surcharge éventuelle à court terme imprévue. Ne jamais dépasser les spécifications nominales du matériel de montage ou de l'équipement. Consulter un technicien professionnel diplômé en cas de doute ou de question concernant l'installation physique de l'équipement.

Garantie *(États-Unis seulement ; dans les autres pays, consulter le revendeur ou le distributeur)*

Avis de non-responsabilité

QSC Audio Products, Inc. n'est pas responsable des dommages subis par les amplificateurs ou tout autre équipement causé par un acte de négligence ou une installation impropre et/ou l'utilisation de ce haut-parleur.

QSC Audio Products - Garantie limitée de 3 ans

QSC Audio Products, Inc. (« QSC ») garantit que ses produits sont dépourvus de tout vice de fabrication et /ou de matériel pendant une période de trois (3) ans à partir de la date de vente et remplacera les pièces défectueuses et réparera les produits qui fonctionnent mal dans le cadre de cette garantie si le défaut survient dans des conditions normales d'installation et d'utilisation - à condition que l'appareil soit retourné à l'usine ou à l'un de nos centres de réparation agréés en port pré-payé, accompagné d'un justificatif d'achat (facture, par ex.). Cette garantie prévoit que l'examen du produit retourné doit indiquer, selon notre jugement, un défaut de fabrication. Cette garantie ne s'étend à aucun produit qui a été soumis à une utilisation abusive, un acte de négligence, un accident, une installation incorrecte ou un produit dont le code-date a été retiré ou effacé. QSC ne pourra être tenue pour responsable de dommages accessoires et/ou indirects. Cette garantie vous accorde des droits spécifiques. Cette garantie limitée est librement cessible durant sa période de validité.

Le client pourra bénéficier d'autres droits, variables d'une juridiction à l'autre.

Si ce produit a été fabriqué pour une exportation et une vente en dehors des États-Unis ou de ses territoires, cette garantie limitée ne s'appliquera pas. Le retrait du numéro de série sur ce produit ou l'achat de ce produit auprès d'un revendeur non agréé annulera cette garantie limitée.

Cette garantie est régulièrement mise à jour. Pour obtenir la toute dernière version de la garantie de QSC, rendez-vous sur le site www.qscaudio.com.

Contactez-nous au 800-854-4079 ou visitez notre site Web www.qscaudio.com.

© Copyright 2004, QSC Audio Products, Inc.

QSC® est une marque déposée de QSC Audio Products, Inc.

QSC et le logo QSC sont des marques déposées auprès de l'U.S. Patent and Trademark Office.

Introduction

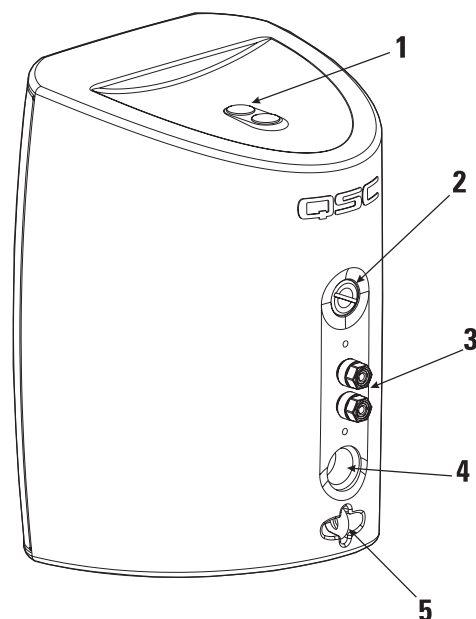
Merci et félicitations pour votre achat des haut-parleurs multi-usage Acoustic Design AD-S52, qui résistent aux intempéries. Ces produits représentent le meilleur de la technique en matière de systèmes de haut-parleurs SR (sonorisation sélective) légers et tout temps. Pour tirer le meilleur parti de votre investissement, il est vivement conseillé de lire attentivement ce manuel.

Les systèmes de haut-parleurs AD-S52 sont des modèles bidirectionnels de forte puissance et pleine gamme qui délivrent une qualité sonore supérieure et un niveau de pression acoustique (SPL) élevé dans un boîtier léger résistant aux intempéries. L'étage d'attaque basse fréquence est magnétiquement blindé et l'étage d'attaque haute fréquence en néodyme présente un champ magnétique parasite très petit, ce qui fait de l'AD-S52 le choix idéal pour une utilisation près de moniteurs vidéo. Le support à rotule permet une installation solide et flexible. Ces haut-parleurs sont un choix excellent pour un large éventail d'applications SR.

Les modèles AD-S52T ont un transformateur d'adaptation 70 V/100 V et un sélecteur de puissance. Le transformateur peut être contourné.

L'illustration (à droite) souligne les caractéristiques du produit :

- 1- deux jeux d'inserts filetés pour un étrier de fixation YM-5 en option
- 2- sélecteur de puissance du transformateur (modèle AD-S52T seulement)
- 3- bornes d'entrée de raccordement (couvercle résistant aux intempéries retiré)
- 4- point d'attache du support à rotule (support à rotule retiré)
- 5- point d'attache du câble de sécurité



FR

Contenu

Le carton contient :

- Ensemble de haut-parleurs AD-S52 (ou AD-S52T) (2)
- Support à rotule (2)
- Clé Allen à 6 pans (6 mm)
- Couvercle - entrées (2)
- Joint du couvercle - entrées (2, peuvent être intégrés au couvercle)
- Douille réductrice de tension - entrées (2, peuvent être intégrés au couvercle)
- Vis cruciforme longue à tête cylindrique bombée M4 x 1,4 x 15 mm (4, pour couvercles)
- Ce manuel d'utilisation

Montage

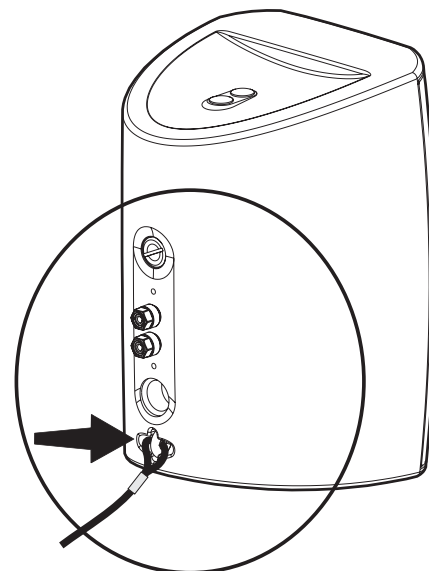
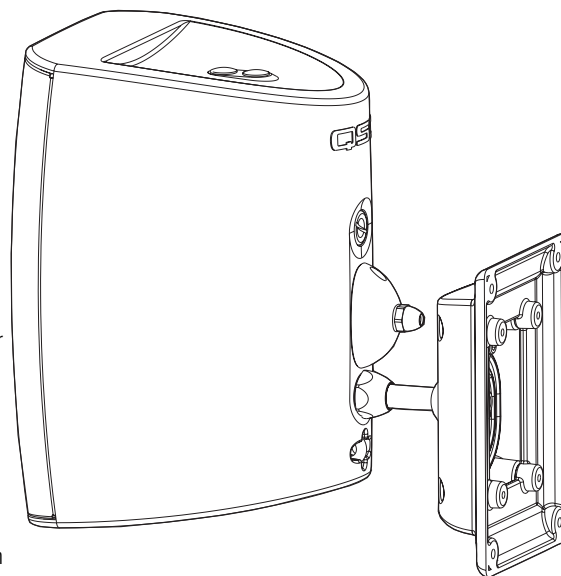
Autonome

Si le haut-parleur seul est utilisé (sans le support à rotule ou l'étrier de fixation en option), il peut être placé sur n'importe quelle surface appropriée. Posée sur une surface plane, l'armoire sera légèrement inclinée vers l'arrière.

Utilisée à une puissance élevée, l'armoire peut vibrer et se déplacer légèrement sur une surface dure. Placer un tapis anti-glisse sous l'armoire ou des pieds en caoutchouc auto-adhésif pour l'empêcher de bouger.

Branchement du câble de sécurité

Un point d'attache du câble de sécurité se trouve à l'arrière du haut-parleur, près de la base. Installer un câble de sécurité assez solide pour soutenir plusieurs fois le poids du haut-parleur en cas de chute. Ce câble doit être fixé à un support secondaire assez solide lui aussi pour soutenir plusieurs fois le poids du haut-parleur.



Attacher ici le câble de sécurité.



IMPORTANT ! S'ASSURER QUE LE HAUT-PARLEUR EST MONTÉ CORRECTEMENT ET QU'UN CÂBLE DE SÉCURITÉ EST INSTALLÉ POUR RETENIR LE HAUT-PARLEUR EN CAS DE CHUTE.

Montage (suite)

Adaptateur de support à rotule

L'adaptateur de support à rotule fourni peut être attaché à quasiment n'importe quelle surface plane. Sa plaque arrière est amovible. Son retrait permet de réduire la profondeur globale de l'ensemble et l'encombrement du mur par le support.

Pour utiliser l'adaptateur de support mural, fixer sur la surface de montage avec les quatre vis. S'assurer que la surface de montage est suffisamment solide pour supporter le poids du haut-parleur, les vibrations ou une activité sismique. Connecter les câbles au haut-parleur et installer au besoin le couvercle sur les bornes. Visser l'adaptateur sur l'insert en bas du haut-parleur. Ajuster l'inclinaison du haut-parleur et serrer la visserie à fond. Il est recommandé de serrer les deux attaches à 15 N-m.

Étrier de fixation en option

Un étrier de fixation est proposé en option (modèle YM-5). Pour des détails, contacter le revendeur QSC Audio Products le plus proche.

Branchement

AD-S52 ou AD-S52T ?

Le branchement est identique pour les deux modèles, mais pour le AD-S52T il faut tourner le sélecteur de puissance du transformateur sur le réglage approprié avant d'appliquer le son.

Bornes

Les bornes de raccordement acceptent :

- les fils nus (jusqu'à 3,8 mm de diamètre)
- les bornes embrochables
- les fiches banane (simples ou doubles, à 19 mm d'intervalle)

Couvercle des connecteurs d'entrée (raccord de fil seulement)

Le haut-parleur inclut un couvercle résistant aux intempéries qui protège les bornes d'entrée. Pour une bonne étanchéité, la gaine du câble doit être ronde (ou quasiment) et mesurer entre 3 et 6,3 mm (diamètre externe).

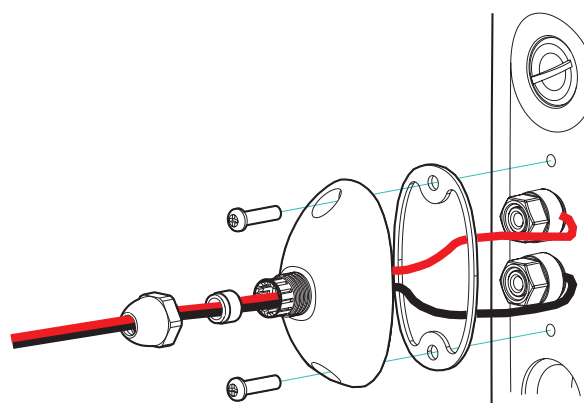
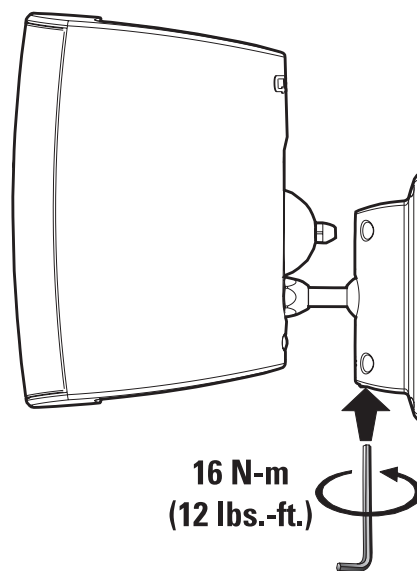
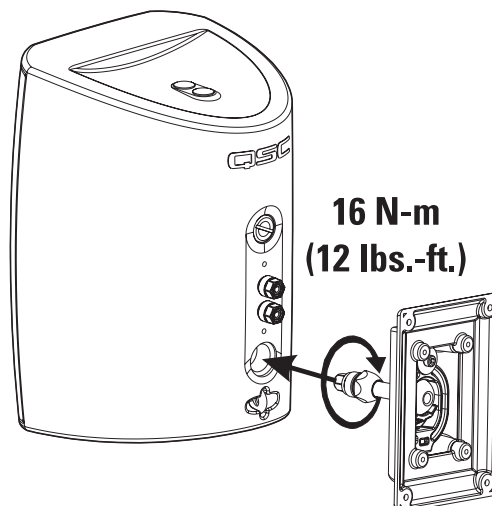
- Enfiler les fils dans l'écrou de compression, le joint et le couvercle.
- Desserrer les écrous des bornes de raccordement.
- Enfiler les fils et les insérer dans les bornes de raccordement.
- Serrer les écrous.
- Glisser le couvercle sur les bornes et fixer avec les deux vis à métaux fournies.
- S'assurer que le joint est bien en place ; serrer l'écrou de compression.



Pour garantir des branchements résistants aux intempéries, s'assurer que le couvercle des bornes d'entrée est bien plaqué contre l'armoire du haut-parleur, que tous les joints sont bien en place et que la visserie est suffisamment serrée. L'utilisation du couvercle des bornes d'entrée pourra exiger l'emploi de fils de plus petit diamètre pour un ajustement correct.



REMARQUE ! Il n'est pas possible d'utiliser des fiches banane ou des bornes embrochables avec le couvercle des bornes d'entrée. Lorsque le couvercle est utilisé, brancher les fils directement sur les bornes.

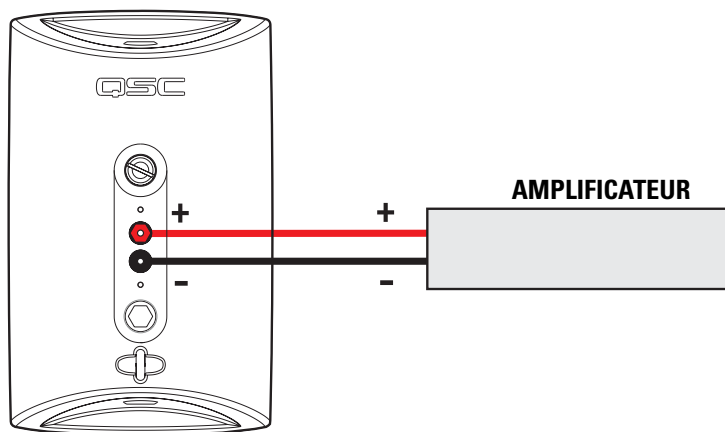


Câblage

Connecter les sorties + et - de l'amplificateur directement aux bornes + (rouge) et - (noir) du haut-parleur. Les bornes de raccordement acceptent les fils, les bornes embrochables et les fiches banane. Utiliser uniquement des liaisons filaires lorsque le couvercle des bornes d'entrée est utilisé. Les bornes sont espacées de 19 mm.



Maintenir la polarité correcte lors du branchement du haut-parleur et de l'amplificateur à travers l'ensemble du système. Toutes les bornes de haut-parleur positives (marquées +) doivent être connectées aux bornes de sortie positives de l'amplificateur. Ceci permet d'assurer la meilleure sortie basse fréquence possible de votre système.



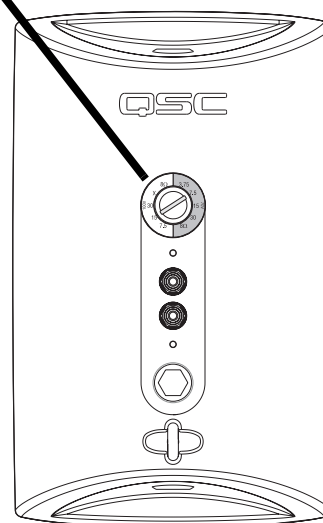
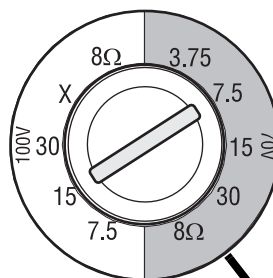
Sélection de puissance sur le transformateur 70 V/100 V (AD-S52T)

Les modèles AD-S52T sont équipés d'un transformateur d'adaptation 70V/100V destiné aux systèmes audio distribués. Le sélecteur de puissance du transformateur se situe sur le panneau arrière pour régler niveau de puissance du haut-parleur. Ce sélecteur peut également être réglé à 8 ohms, ce qui permet de contourner entièrement le transformateur.

Pour sélectionner la tension, aligner la fente sur la valeur de puissance recherchée. Utiliser une pièce ou un tournevis à lame plate pour tourner le sélecteur.

Systèmes distribués 70 V : utiliser les repères de droite. Sélectionner 3,75, 7,5, 15 ou 30 watts.

Systèmes distribués 100 V : utiliser les repères de gauche. Sélectionner 7,5, 15 ou 30 watts. La position X ne doit pas être utilisée.



REMARQUE ! Le réglage 8 ohms est uniquement réservé aux systèmes audio de 8 ohms. Ne pas utiliser le réglage 8 ohms pour brancher un haut-parleur AD-S52T sur des systèmes audio distribués de 70 V/100 V.

Peindre le haut-parleur

Le boîtier, la grille du haut-parleur et le support peuvent être peints pour se fondre à tout décor, à conditions d'observer les précautions suivantes. L'armoire est faite de polystyrène choc qui demande des procédures précises d'application de peinture pour obtenir de bons résultats. Utiliser un « système » de peinture conçu pour du polystyrène choc disponible chez tout fournisseur fiable de peintures.

- 1- Retirer la grille.
- 2- Si le support et le haut-parleur sont peints comme un ensemble : attacher le support à rotule ou l'étrier de fixation.
- 3- Masquer le connecteur d'entrée du haut-parleur.
- 4- Masquer le haut-parleur de graves, le haut-parleur d'aigus et le connecteur en veillant à ne pas appliquer de ruban-cache directement sur les étages d'attaque. Une autre solution consiste à masquer entièrement l'intérieur de la grille et de la mettre en place sur le boîtier du haut-parleur avant de peindre.
- 5- Laver les composants à peindre avec du savon doux et de l'eau chaude. Veiller à ne pas mettre d'eau sur ou dans les étages d'attaque ou les connecteurs d'entrée. Rincer à l'eau chaude. Laisser sécher complètement.
- 6- Poncer légèrement les composants à peindre en utilisant un tampon rouge Scotchbrite® ou du papier de verre 320 - 400 grains.
- 7- À l'aide d'air comprimé, retirer la poussière des composants à peindre. Ne pas insuffler d'air comprimé directement dans un étage d'attaque.
- 8- Nettoyer les composants à peindre.
- 9- À l'aide d'un chiffon blanc propre et non pelucheux, passer une solution de préparation adaptée sur les composants à peindre.
- 10- Appliquer un promoteur d'adhésion.
- 11- Appliquer la couche primaire.
- 12- Appliquer la peinture.
- 13- Laisser sécher pendant au moins 8 heures avant de manipuler.

Caractéristiques techniques

Réponse en fréquence:	75 à 19 kHz (-6 dB) 64 à 20 kHz (-10 dB)
Étages d'attaque :	basse fréquence - blindage magnétique de 133 mm haute fréquence - dôme métallisé, structure magnétique en néodyme
Puissance maximale: (calculé)	Puissance continue efficace SPL 105 dB Puissance de crête SPL 111 dB
Impédance :	6 ohms (nominale) 6 ohms minimum, 286 Hz 33 ohms maximum, 2.2 kHz
Puissance nominale³ : efficace (CEI 100 heures) :	70 W (efficace) puissance amp. recommandée : 140 W (efficace)
Sensibilité :	86,5 dB, 1 W, 1 m, champ acoustique libre
Indice de directivité :	500 Hz 3,4 1 000 Hz 5,5 2 000 Hz 9,3 4 000 Hz 7,9 8 000 Hz 13,6 16 000 Hz 6,8
Q :	500 Hz 2,2 1 000 Hz 3,5 2 000 Hz 8,6 4 000 Hz 6,2 8 000 Hz 23,0 16 000 Hz 4,7
Poids par paire :	AD-S52 : 6,8 kg (net), 10 kg (expédition) AD-S52T : 8 kg (net), 11,3 kg (expédition)
Couverture nominale :	90° horizontale x 60° verticale
Boîtier et grille :	polystyrène choc, grille métallique amovible
Connecteurs :	bornes de raccordement (acceptent des fils de 3,8 mm de diamètre max., des fiches banane ou des bornes embrochables)
Matériel de fixation :	Fournie : adaptateur de support à rotule avec configurations plaque murale variables, construction en alliage Option : étrier de fixation avec boutons de retenue (modèle YM-5)

REMARQUES :

1- Toutes les plages de fréquence spécifiées désignent une réponse mesurée dans un champ acoustique libre (4 pi).

2- SPL maximum calculé à 1 m, champ acoustique libre, haut-parleur fonctionnant à une entrée de bruit rose de puissance efficace nominale, 50 Hz à 20 kHz.

3- Puissance d'entrée maximale testée conformément aux recommandations de la CEI ; facteur de crête de signal de 6 dB, limiteur de bande de 50 Hz à 20 kHz.

Dimensions, voir p.7.

Les spécifications sont sujettes à modification sans préavis.

WICHTIGE SICHERHEITSVORKEHRUNGEN UND SYMBOLERKLÄRUNG

1. Diese Anleitung sorgfältig durchlesen.
2. Diese Anleitung gut aufbewahren.
3. Alle Warnungen beachten.
4. Alle Anweisungen befolgen.
5. Nur mit einem trockenen Tuch reinigen.
6. Die Installation von einem lizenzierten Fachtechniker gemäß der Anleitung von QSC Audio Products vornehmen lassen.
7. Nicht in der Nähe von Wärmequellen wie Heizkörpern, Warmluftschiebern, Öfen oder anderen Geräten (einschließlich Verstärkern) aufstellen, die Wärme abstrahlen.
8. Nur Zubehör von QSC Audio Products, Inc. verwenden.
9. Nur von QSC Audio Products spezifizierte Montagevorrichtungen oder Halterungen verwenden.
10. Wartungsarbeiten nur von qualifiziertem Personal ausführen lassen. Wartungsmaßnahmen sind erforderlich, wenn das Produkt auf irgendeine Weise beschädigt wurde.



Das aus einem Blitz mit einer Pfeilspitze bestehende Symbol in einem Dreieck soll den Benutzer auf das Vorhandensein nicht isolierter, gefährlicher Spannungen innerhalb des Gehäuses aufmerksam machen, die stark genug sein können, einen elektrischen Schlag abgeben zu können.



Das Ausrufezeichen in einem Dreieck soll den Benutzer auf das Vorhandensein wichtiger Betriebs- und Wartungsanleitungen in diesem Handbuch aufmerksam machen.



WARNUNG! Inspizieren Sie vor dem Aufstellen, Installieren, Verdrahten oder Aufhängen von Lautsprecherprodukten alle Befestigungsteile, Aufhängungen, Gehäuse, Wandler, Halterungen und damit in Verbindung stehende Vorrichtungen auf eventuelle Schäden. Fehlende, korrodierte, verformte oder nicht belastbare Komponenten könnten die Stabilität der Installation, der Aufstellung oder der Gerätekombination deutlich reduzieren. Jeder Zustand dieser Art bewirkt eine erhebliche Verringerung der Sicherheit der Installation und sollte umgehend behoben werden. Verwenden Sie ausschließlich Befestigungsteile, die für die Belastungsbedingungen der Installation zugelassen und für jede potenzielle, unerwartete, kurzfristige Überlastung ausgelegt sind. Die Nennleistung der Befestigungsteile bzw. Ausrüstung darf keinesfalls überschritten werden. In Zweifelsfällen oder bei Fragen zur Installation eines Geräts sollten Sie einen qualifizierten Techniker hinzuziehen.

Garantie (nur für die USA; wenden Sie sich zwecks Garantieinformationen für andere Länder an Ihren Händler oder Distributor)

Haftungsausschluss

QSC Audio Products, Inc. ist nicht für Schäden an Verstärkern oder anderen Geräten haftbar, die durch Fahrlässigkeit oder eine unsachgemäße Installation und/oder Verwendung dieses Lautsprecherprodukts verursacht werden.

Beschränkte Dreijahresgarantie durch QSC Audio Products

QSC Audio Products, Inc. („QSC“) gewährleistet, dass seine Produkte für einen Zeitraum von drei (3) Jahren ab dem Kaufdatum keine Material- und/oder Ausführungsfehler aufweisen werden, und QSC verpflichtet sich zum Ersatz defekter Teile und zur Reparatur funktionsgestörter Produkte gemäß dieser Garantie, wenn dieser Fehler bei einer normalen Installation und unter normalen Gebrauchsbedingungen auftritt – vorausgesetzt, dass das Gerät unter Vorauszahlung der Transportkosten und zusammen mit einer Kopie des Kaufnachweises (z.B. der Kaufquittung) an unser Werk zurückgeschickt oder an eine unserer autorisierten Kundendienststellen eingeschickt wird. Diese Garantie setzt voraus, dass die Prüfung des zurückgeschickten Produkts in unserem Ermessen einen Herstellungsdefekt zu erkennen gibt. Diese Garantie erstreckt sich auf keine Produkte, die einer unsachgemäßen oder fahrlässigen Behandlung, Unfällen oder einer unvorschriftsmäßigen Installation unterlagen, oder deren Datumcode entfernt oder unkenntlich gemacht wurde. QSC ist für keine Neben- und/oder Folgeschäden haftbar. Diese Garantie gewährt Ihnen bestimmte Rechte. Diese beschränkte Garantie ist während der Garantiezeit frei übertragbar.

Manche Kunden können je nach Rechtsprechung zusätzliche und andere Rechte besitzen.

Falls dieses Produkt zum Export und Verkauf außerhalb der Vereinigten Staaten oder deren Hohheitsgebieten hergestellt wurde, besitzt diese eingeschränkte Garantie keine Gültigkeit. Die Entfernung der Seriennummer auf diesem Produkt oder der Kauf dieses Produkts von einem nicht autorisierten Händler macht diese beschränkte Garantie unwirksam. Diese Garantie wird gelegentlich aktualisiert. Die jeweils aktuellste Version der Garantieerklärung von QSC finden Sie im Internet unter www.qscaudio.com.

Sie erreichen uns telefonisch unter +1 800-854-4079 (gebührenfrei in den USA und Kanada) oder im Internet unter www.qscaudio.com.

© Copyright 2004, QSC Audio Products, Inc.

QSC ist eine eingetragene Marke von QSC Audio Products, Inc.

„QSC“ und das QSC-Logo sind beim US- Patent- und Markenamt angemeldet

Einführung

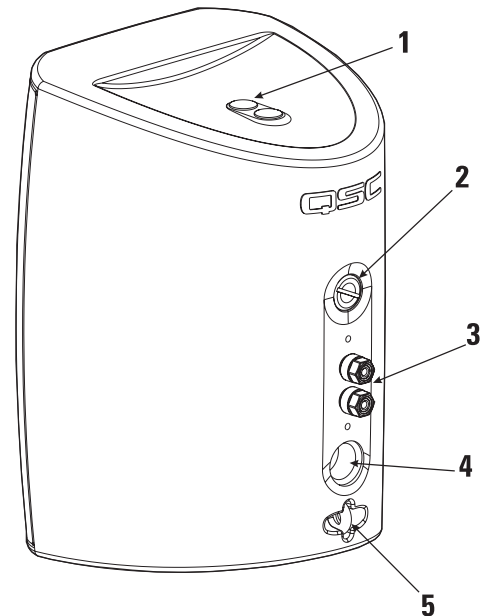
Wir bedanken uns, dass Sie sich für die wetterbeständigen Mehrzwecklautsprecher Acoustic Design AD-S52 entschieden haben und gratulieren Ihnen zu Ihrem Kauf. Diese Produkte entsprechen dem höchsten Stand der Technik für leichte Allwetter-SR (engl.: Sound Reinforcement/ Klangverstärkung)-Lautsprechersysteme. Bitte lesen Sie dieses Handbuch gründlich durch, um Ihre Investition optimal zu nutzen.

Bei den AD-S52 Lautsprechersystemen handelt es sich um Zwei-Weg-Fullrange-Designs mit hoher Ausgangsspannung, die eine ausgezeichnete Tonqualität und einen hohen Schalldruckpegel (SPL) in einem leichten wetterbeständigen Gehäuse bieten. Da der Niederfrequenztreiber magnetisch abgeschirmt ist und der Neodym-Hochfrequenztreiber ein äußerst geringes Fremdmagnetfeld aufweist, eignet sich der AD-S52 besonders für den Einsatz in der Nähe von Videobildschirmen. Die im Lieferumfang enthaltene Kugelhalterung ermöglicht eine sichere und anpassungsfähige Installation. Diese Lautsprecher eignen sich hervorragend für ein breites Spektrum von SR-Anwendungen.

AD-S52T-Modelle sind mit einem passenden 70-V/100-V-Transformator und Stufenwahlschalter ausgerüstet. Der Transformator kann umgangen werden.

In der Abbildung (rechts) sind die wichtigsten Produktmerkmale hervorgehoben:

- 1- zwei Sätze Gewindeeinsätze für optionale YM-5-Jochhalterung
- 2- Transformator-Stufenwahlschalter (nur bei Modell AD-S52T)
- 3- Klemmbolzen-Eingangsklemmen (wetterbeständige Abdeckung entfernt)
- 4- Befestigungspunkt der Kugelhalterung (Kugelhalterung entfernt)
- 5- Befestigungspunkt des Sicherheitskabels



Lieferumfang

Der Karton enthält die folgenden Komponenten:

- Lautsprecherbaugruppe (je 2) AD-S52 (oder AD-S52T)
- Kugelhalterungsbaugruppe (je 2)
- 6-mm-Inbusschlüssel (Sechskant-Winkelschraubendreher)
- Eingangsabdeckung (je 2)
- Eingangsabdeckungsdichtung (je 2, ggf. Bestandteil der Abdeckung)
- Zugentlastungstülle, Eingang (je 2, ggf. Bestandteil der Abdeckung)
- M4 x 1,4 x 15 mm lange Kreuzschlitz-Flachkopfschraube (je 4, für Abdeckungen)
- Dieses Benutzerhandbuch

Montage

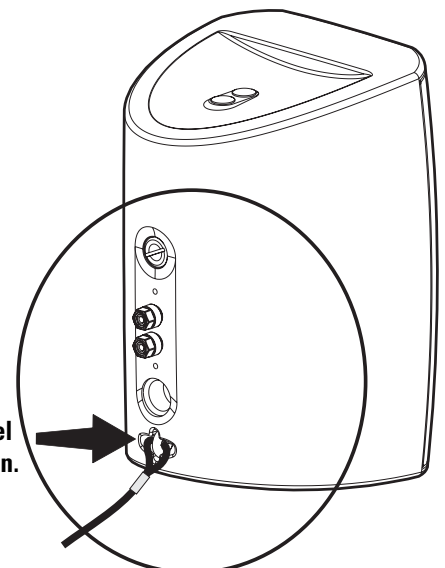
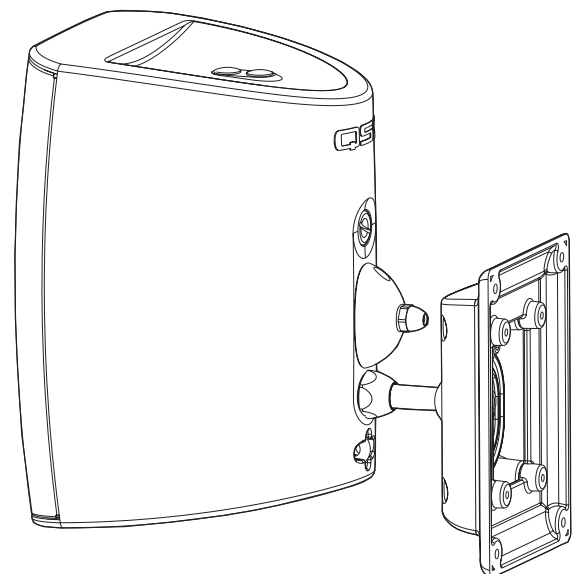
Unabhängige Montage

Wenn der Lautsprecher ohne die Kugelhalterung bzw. die optionale Jochhalterung verwendet wird, kann er auf jeder geeigneten Oberfläche aufgestellt werden. Beim Aufstellen auf einer flachen Oberfläche ist das Gehäuse etwas nach hinten geneigt.

Beim Betrieb mit einer hohen Ausgangsleistung kann das Gehäuse Vibrationen erzeugen, so dass es sich auf harten Oberflächen bewegt bzw. „wandert“. Mit rutschsicheren Matten unter dem Gehäuse oder selbstklebenden Gummifüßen können Sie verhindern, dass sich das Gehäuse bewegt.

Befestigung des Sicherheitskabels

Auf der Rückseite des Lautsprechers befindet sich in Bodennähe ein Befestigungspunkt für ein Sicherheitskabel. Bringen Sie ein Sicherheitskabel an, das stark genug ist, um bei einem eventuellen Umfallen ein Mehrfaches des Gewichts der Lautsprecherbaugruppe aufzufangen. Das Kabel muss an einem zweiten Haltepunkt befestigt werden, der ebenfalls stark genug sein muss, um ein Mehrfaches des Gewichts des Lautsprechers zu tragen.



Sicherheitskabel hier befestigen.



WICHTIG! ACHTEN SIE DARAUF, DASS DER LAUTSPRECHER VORSCHRIFTMÄSSIG BEFESTIGT UND EIN SICHERUNGSKABEL ANGEBRACHT WIRD, DAS DEN LAUTSPRECHER IM FALLE EINES VERSAGENS DER HALTEVORRICHTUNG SICHERT.

Montage (Fortsetzung)

Kugelhalterungsadapter

Der im Lieferumfang enthaltene Kugelhalterungsadapter kann an nahezu jeder ebenen Fläche befestigt werden. Die Stützplatte dieses Adapters kann auf Wunsch abgenommen werden, in welchem Fall die Gesamttiefe der Baugruppe und der Platzbedarf der Halterung an der Wand reduziert werden.

Wenn der Wandadapter verwendet wird, muss er mit vier Schrauben an der Montagefläche befestigt werden. Stellen Sie sicher, dass die Montagefläche stabil genug ist, um den Lautsprecher auch bei Vibrationen oder seismischen Erschütterungen zu tragen. Schließen Sie die Drähte am Lautsprecher an, und installieren Sie auf Wunsch die Klemmenabdeckung. Schrauben Sie den Adapter in den Gewindeeinsatz auf der Unterseite des Lautsprechers. Stellen Sie die Neigung des Lautsprechers ein, und ziehen Sie die Schrauben fest an. Wir empfehlen für beide Befestigungsteile ein Anzugsdrehmoment von 15 Nm.

Optionale Jochhalterung

Die optionale Jochhalterung ist mit Modell YM-5 erhältlich. Details erhalten Sie von Ihrer QSC Audio Products-Vertretung.

Anschluss

AD-S52 oder AD-S52T?

Der Anschluss ist bei beiden Modellen identisch, beim AD-S52T muss jedoch der Transformator-Stufenwahlschalter vor der Herstellung einer Audio-Verbindung entsprechend eingestellt werden.

Abschlüsse

An den Klemmenbolzen-Klemmen können folgende Abschlüsse hergestellt werden:

- blanker Leiter (Durchmesser bis zu 3,8 mm)
- Flachsteckklemmen
- Bananenstecker (Einzel- oder Doppelausführung, Abstand 19 mm)

Eingangsanschluss-Abdeckung (nur bei Leiterabschluss)

Im Lieferumfang des Lautsprechers ist eine wetterbeständige Abdeckung für die Eingangsklemmen enthalten. Zur ordnungsgemäßen Abdichtung muss der Kabelmantel rund (oder nahezu rund) sein und einen Außendurchmesser von 3 mm bis 6,3 mm aufweisen.

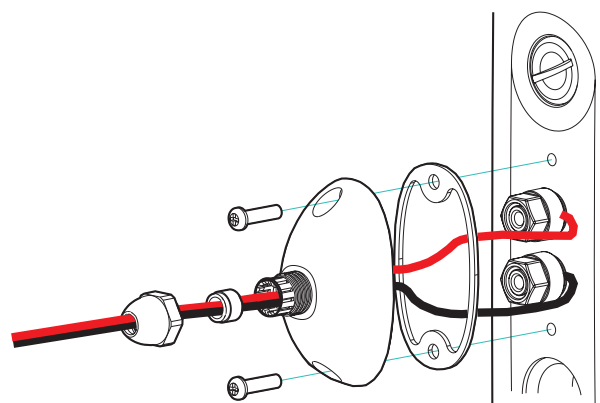
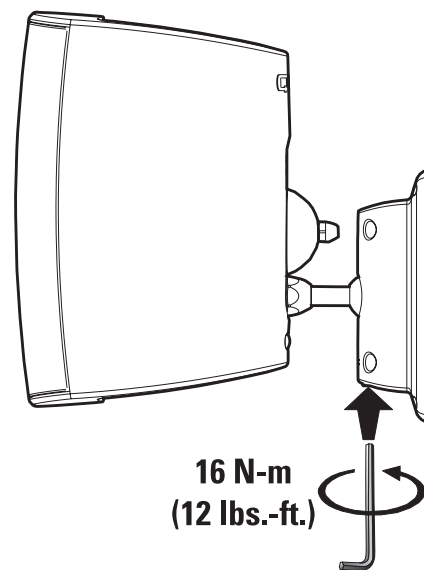
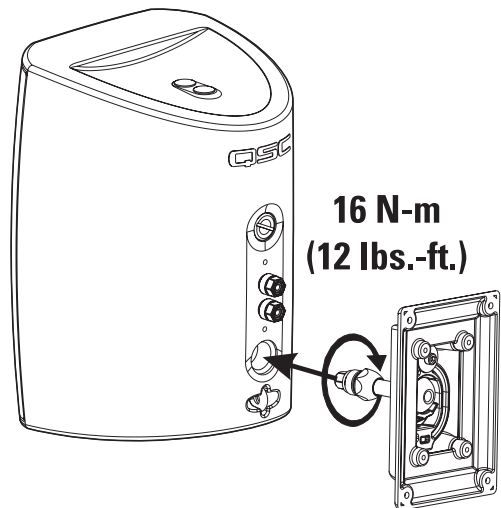
- Führen Sie die Drähte durch die Überwurfmutter, Dichtung und Abdeckung.
- Lösen Sie die Muttern am Klemmenbolzen.
- Isolieren Sie die Drähte ab und führen Sie sie in die Anschlussklemmen ein.
- Ziehen Sie die Muttern an.
- Schieben Sie die Abdeckung über die Klemmen, und befestigen Sie sie mit den zwei mitgelieferten Schrauben.
- Achten Sie darauf, dass die Dichtung richtig sitzt, und ziehen Sie die Überwurfmutter fest.



Zur Herstellung von wetterfesten Verbindungen muss sichergestellt werden, dass die Eingangsabdeckung bündig mit dem Lautsprechergehäuse abschließt, alle Dichtungen ordnungsgemäß sitzen und die Befestigungsteile ausreichend festgezogen wurden. Bei Verwendung der Eingangsabdeckung müssen zur Erzielung einer guten Passung ggf. kleinere Leiterquerschnitte verwendet werden.



HINWEIS! Bei Verwendung der Eingangsanschluss-Abdeckung können keine Bananenstecker bzw. Flachsteckklemmen verwendet werden. Schließen Sie bei Verwendung der Eingangsabdeckung die Drähte direkt an die Klemmen an.

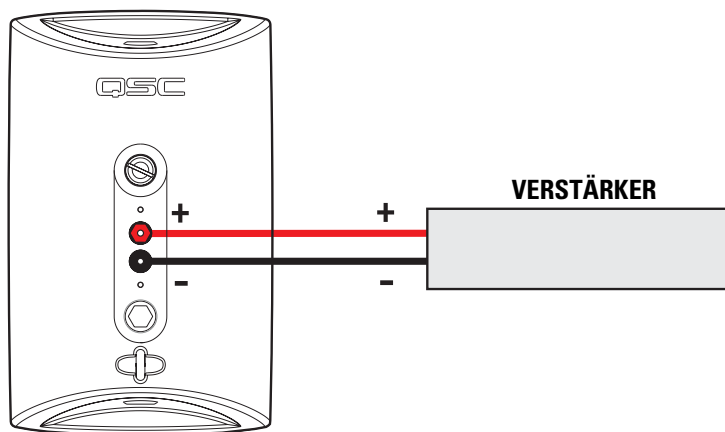


Verdrahtung

Schließen Sie den positiven (+) und negativen (-) Ausgang des Verstärkers direkt an die rote (+) und schwarze (-) Klemme des Lautsprechers an. An den Klemmenbolzen-Klemmen können Leiter, Flachsteckklemmen und Bananenstecker angeschlossen werden. Bei Verwendung der Eingangsabdeckung dürfen Leiter nur direkt angeschlossen werden. Der Abstand zwischen den Klemmen beträgt 19 mm.



Achten Sie auf die richtige Lautsprecher-/ Verstärkerpolarität im ganzen System. Alle mit einem positiven Symbol gekennzeichneten Lautsprecherklemmen müssen an ebenfalls mit einem positiven Symbol gekennzeichneten Verstärkerausgangsklemmen angeschlossen sein. Dadurch wird gewährleistet, dass vom System eine optimale Niederfrequenzleistung ausgeht.



AD-S52T: 70 V/100 V-Stufenwahlschaltung

AD-S52T-Modelle sind mit einem 70 V/100 V-Anpasstransformator für verteilte Audiosysteme ausgestattet. An der Rückplatte befindet sich ein Transformator-Stufenwahlschalter zur Einstellung der Lautsprecherleistung. Mit diesem Schalter kann auch der 8-Ohm-Betrieb gewählt und der Transformator somit vollständig umgangen werden.

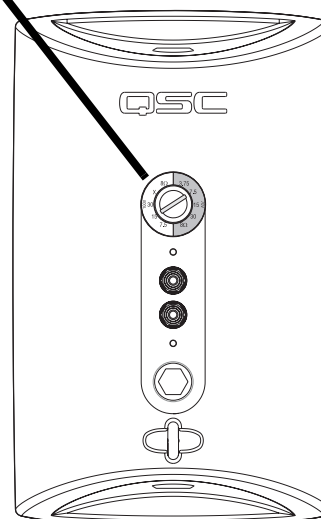
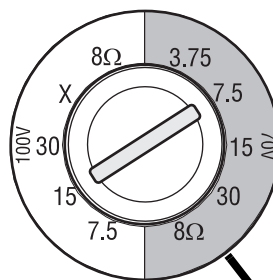
Wählen Sie die gewünschte Leistung, indem Sie den Schlitz auf den entsprechenden Wert ausrichten. Betätigen Sie den Schalter mit einer Münze oder einem flachen Schraubenzieher.

Verteilte Systeme, 70 V: verwenden Sie die Markierungen auf der rechten Seite. Wählen Sie 3,75, 7,5, 15 oder 30 Watt.

Verteilte Systeme, 100 V: verwenden Sie die Markierungen auf der linken Seite. Wählen Sie 7,5, 15 oder 30 Watt. Die Position „X“ sollte nicht verwendet werden.



HINWEIS! Die 8-Ohm-Einstellung sollte nur bei 8-Ohm-Audiosystemen verwendet werden. Verwenden Sie die 8-Ohm-Einstellung nicht, wenn der AD-S52T-Lautsprecher an verteilte 70 V/ 100 V-Audiosysteme angeschlossen wird.



DE

Lackieren des Lautsprechers

Lautsprechergehäuse, Schutzgitter und Montagevorrichtungen können zur Angleichung an jedes Dekor bemalt werden, wobei jedoch die folgenden Sicherheitsvorkehrungen zu beachten sind. Das Gehäuse besteht aus hochschlagfestem Polystyrol, das zur Erzielung guter Ergebnisse ein kontrolliertes Anstrichverfahren voraussetzt. Verwenden Sie ein von einem seriösen Farbenhändler erworbenes, für hochschlagfestes Polypropylen geeignetes Anstrichsystem.

1. Nehmen Sie das Schutzgitter ab.
- 2- Zum Lackieren von Halterung und Lautsprecher als Einheit: Bringen Sie die Kugelhalterung bzw. die Jochhalterung an.
3. Maskieren Sie den Eingangsanschluss des Lautsprechers mit Klebeband.
4. Maskieren Sie den Tiefton- und Hochtonlautsprecher sowie den Anschluss. Vermeiden Sie es, Klebeband direkt auf den Druckkammertreibern anzubringen. Sie können zur Vorbereitung des Anstrichs statt dessen auch die Innenseite des Schutzgitters vollständig mit Klebeband abdecken und auf dem Lautsprecher anbringen.
5. Waschen Sie die zu bemalenden Komponenten mit einer milden Seifenlösung und heißem Wasser. Achten Sie darauf, dass kein Wasser in einen der Druckkammertreiber oder auf die Eingangsanschlüsse gelangt. Spülen Sie mit heißem Wasser. Lassen Sie die Komponenten gründlich trocknen.
6. Rauen Sie die zu bemalenden Komponenten mit einem roten Scotchbrite®-Polster oder Sandpapier (Körnung 320-400) auf.
7. Entfernen Sie alle Staubablagerungen mit Druckluft von den zu bemalenden Komponenten. Blasen Sie keine Druckluft direkt in die Druckkammertreiber.
8. Reinigen Sie die zu bemalenden Komponenten.
9. Wischen Sie die zu bemalenden Komponenten mit einem sauberen, flusenfreien, weißen Tuch und einer geeigneten Vorbehandlungslösung ab.
10. Tragen Sie ein Haftungsaktivierungsmittel auf.
11. Tragen Sie eine Grundierung auf.
- 12- Tragen Sie die Farbe auf.
13. Lassen Sie den Lautsprecher mindestens 8 Stunden lang trocknen.

Technische Daten

Frequenzgang:	75- 19 kHz (-6 dB) 64- 20 kHz (-10 dB)
Druckkammertreiber:	Niederfrequenz - 133 mm, magnetisch abgeschirmt Hochfrequenz - Metallkalotte, Neodym-Magnetstruktur
Maximaler Ausgang: (berechnet)	105 dB SPL kontinuierliche effektive Ausgangsleistung 111 dB SPL Spitzenleistung
Impedanz:	6 Ohm nominal 6 Ohm min., 286 Hz 33 Ohm max., 2.2 kHz
Belastbarkeit: eff. (IEC 100 Std.): empfohlene Verstärkerleistung:	70 W eff. 140 W eff.
Empfindlichkeit:	86,5 dB, 1 W, 1 m, freies Feld (4 pi)
Richtungsmaß:	500 Hz 3,4 1000 Hz 5,5 2000 Hz 9,3 4000 Hz 7,9 8000 Hz 13,6 16000 Hz 6,8
Q:	500 Hz 2,2 1000 Hz 3,5 2000 Hz 8,6 4000 Hz 6,2 8000 Hz 23,0 16000 Hz 4,7
Gewicht je Paar:	AD-S52: 6,8 kg netto, 10 kg Versandgewicht AD-S52T: 8,2 kg netto, 11,3 kg Versandgewicht
Abstrahlwinkel (nominal):	90° horizontal. x 60° vertikal
Gehäuse und Gitter:	hochschlagfestes Polystyrol, abnehmbares Metallgitter
Steckverbinder:	Klemmenbolzen (für Drahtdurchmesser bis zu 3,8 mm, Bananenstecker oder Flachsteckklemmen)
Befestigungsteile:	Im Lieferumfang enthalten: Kugelhalterungsadapter mit variablen Wandplattenkonfigurationen, Legierung Optional: Jochhalterung mit Sicherungsknöpfen (Modell YM-5)

ANMERKUNGEN:

1. Alle angegebenen Frequenzbereiche beziehen sich auf das Freifeldübertragungsmaß (4 pi).
2. Berechnung des max. Spitzen-SPL in 1-m-Abstand im freien Feld. Lautsprecherbetrieb bei eff. Nennspannung, Rosa-Rauschen-Eingang 50 Hz bis 20 kHz.
3. Test der max. Eingangsleistung gemäß IEC-Empfehlungen; 50 Hz bis 20 kHz Band-Limiting, 6-dB-Signal-Crestfaktor.

Abmessungen, siehe S.7

Alle technischen Daten können jederzeit geändert werden.

重要安全警示 和标识说明

- 1- 阅读说明书。
- 2- 保存说明书。
- 3- 注意所有警示。
- 4- 按说明书操作。
- 5- 只用于布清洁。
- 6- 由授权专业工程师依照 QSC Audio Products 的说明安装。
- 7- 切勿安装在靠近热源的地方比如 散热器、热记录器、炉子、或其它设备（包括放大器）等发热设备。
- 8- 仅限使用 QSC Audio Products, Inc 的附件和配件。
- 9- 仅限使用 QSC Audio Products 公司规定的支架或托架。
- 10- 所有维修应由专业人士进行。出现任何损坏，设备都要进行维修。



等边三角形内带箭头的闪电符号，警告用户该产品外壳内有非绝缘“危险”电压，会对人体产生电击危险。



等边三角形内的惊叹号提示用户本手册中重要的操作和维修说明。



警告！放置、安装、装配、或悬挂扬声器产品时，检查所有硬件、悬架、搁柜、变换器、支架和相关设备有无损坏。任何额定部件的缺失、腐蚀、变形或未装载都可能大大降低安装、放置或排列的强度。出现任何严重降低安装安全度的情况应立即更正。仅限使用额定安装的硬件及任何可能的短期突发超载。切勿超过硬件或设备的额定标准。如有任何关于物理设备安装的疑问或问题，请咨询获得许可的专业工程师。

质保协议（仅限美国；其它国家，询问当地代理商或经销商）

声明

QSC Audio Products, Inc. 对于因疏忽、或不当安装和 / 或不当使用本放大器产品而对扬声器或任何其它设备所造成的任何损坏不承担任何责任。

QSC Audio Products 3 年有限质保协议。

QSC Audio Products, Inc 公司（“QSC”）担保其产品自销售日起三年内不会发生材料或制造工艺缺陷，若在正常安装和使用条件下发生的损坏，QSC 将按照本质保协议更换有缺陷的零件和维修故障产品，您可将本产品送回我们的工厂或任一授权维修点，预付运送费用，并附带一份购买证明。（例如：购买收据）此质保协议规定，退回的产品检查必须标明经我们判断的制造缺陷。本质保不适用于任何因误用、疏忽、意外事故、不正确地安装，或日期编码被去掉或破损的产品。QSC 不对意外和 / 或间接发生的损害承担责任。此质保赋予您特定的法律权力。此有限质保在保证期内可自由转让。

在不同的州，顾客可能会有额外的权利。

此质保协议不适用于为出口或不在美国销售而生产的产品。产品上缺少序列号，或者从非授权销售商处购买此产品，将失去此有限质保协议。

此质保协议定期更新。获得最新版本的 QSC 质保协议声明，请浏览：www.qscaudio.com。

请播电话 800-854-4079 或浏览我们的网站：www.qscaudio.com。

© 版权 Copyright 2004, QSC Audio Products, Inc.

QSC® 是 QSC Audio Products, Inc 公司的注册商标。

“QSC” 以及 QSC 的标志在美国注册。专利和商标管理局

简介

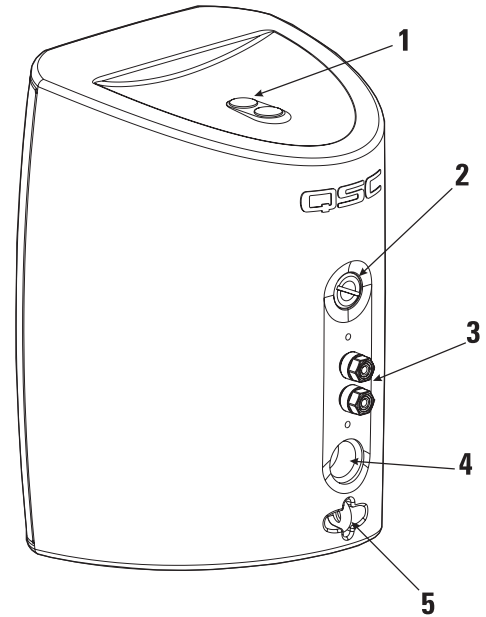
感谢并祝贺您选择了 AcousticDesignAD-S52 多用途的防风雨扩音器。这些产品呈现了全天候、轻型扩音系统的最先进技术水平。为了使您的投资获得最大回报，我们建议您仔细阅读此手册。

AD-S52 扩音器系统为全系列、高输出、双向设计，音质无与伦比，轻型防风雨机箱内装有高 SPL。低频驱动器为防磁设计，含钕高频驱动器的偏离磁场非常微小，AD-S52 完全可以靠近视频监视器使用。内附球形托架提供安全及多样的安装。此扩音器是大范围 SR 应用的极佳选择。

AD-S52T 型号有一个配套的 70 伏特 /100 伏特变压器和分接头选择开关。也可不使用此变压器。

此图（右边）表明产品特点：

- 1- 可选式 YM-5 套托架提供两套螺纹嵌入圈
- 2- 变压器分接头选择器（仅限 AD-S52T 型号）
- 3- 接线柱输入端子（去掉了防风雨盖板）
- 4- 球形托架连接点（去掉了球形托架）
- 5- 安全缆索连接点



包括哪些

包装箱内有：

- AD-S52（或 AD-S52T）扩音器（每箱两个）
- 球形托架（每箱两个）
- 6 厘米六角键（通用扳手）
- 输入盖板（每箱两个）
- 输入盖板垫圈（每箱两个，可以是盖板的一部分）
- 输入松紧转接器（每箱两个，可以是盖板的一部分）
- M4 x 1.4 x 15 厘米长盘头十字槽头螺钉（每箱四个，盖板用）
- 本使用手册。

装配

只装座架

若仅使用扩音器（未使用球形托架或可选式托架）扩音器可放在任何合适的表面。放在平面上时，搁柜可以靠在较小的角度上。

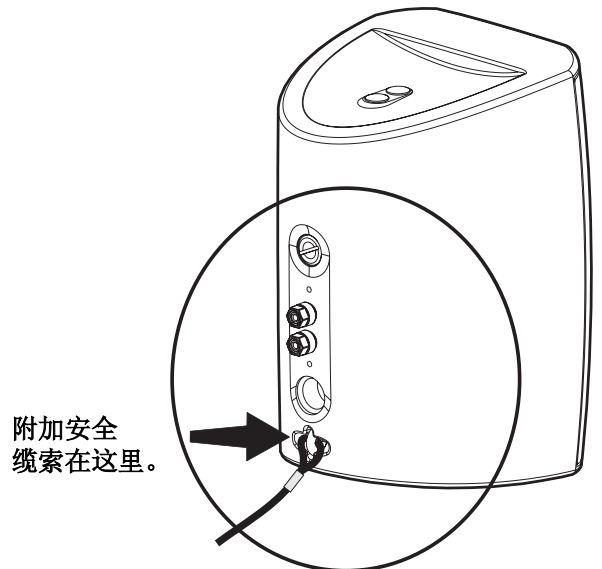
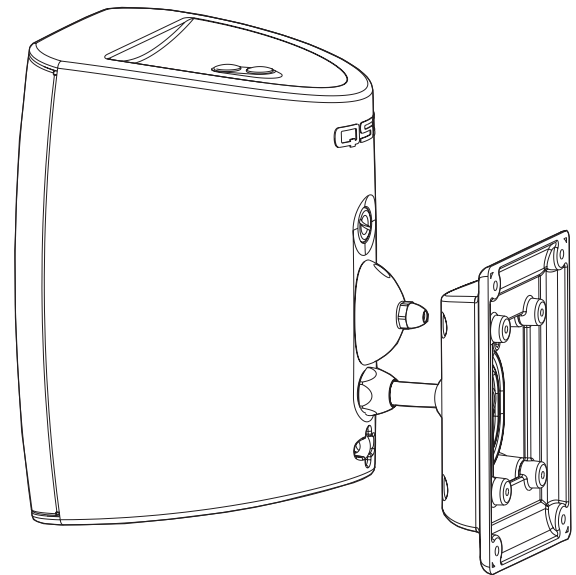
进行高输出操作时，搁柜可能震动，若放在硬表面上搁柜便会滑动。在搁柜下使用防滑垫，或者自粘合橡胶脚，以防搁柜滑动。

装安全缆索

扩音器背后靠近底部的地方，有一个安全缆索连接点。安装安全缆索，以便在扩音器掉落时能够支撑数倍与它的重量。安全缆索必须安全地装在第二个支撑点，此点也能够支撑扩音器数倍的重量。



重要！ 确保扩音器正确装配，安全缆索已安装，以便在安装失败时撑住扩音器。



装配 (继续)

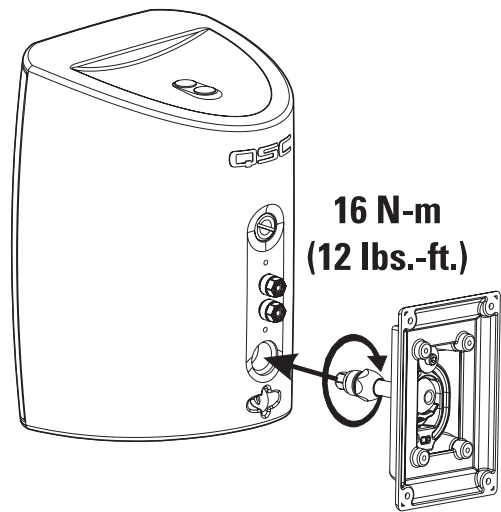
球形托架转接器

内附的球形托架转接器几乎可以附在任何平面。若需要，可以拿掉球形托架转接器的支撑板。这会减少装配和墙上托架全部的深度。

使用壁式托架转接器时，用四个螺丝固定安装表面。确保安装表面能够支撑扩音器和任何震动或地震。若需要，将配线连至扩音器，并安装端子盖板。将转接器穿过扩音器底部的螺纹嵌入圈。调整扩音器角度，充分固紧硬件。推荐将旋紧转矩的 12 lbs.-ft (15 N-m) 用于扣件。

可选套托架

有一可选套托架，型号为 YM-5。咨询当地 QSC Audio Products 代表了解细节。



连接

AD-S52 或 AD-S52T?

两种型号连接方式一致，但是对于 AD-S52T，加载声音前，必须将变压器分接头选择开关设在适当的设置上。

终止

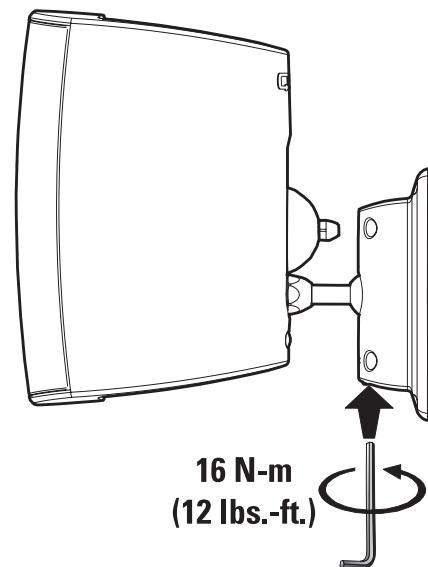
接线柱端子可连接：

- 裸线（最大为直径 0.15” 或 3.8 厘米）
- 平接线片端子
- 香蕉插头（单或双 0.75” 间隔）

输入连接盖板（仅限配线端接头）

扩音器包括一个输入端子防风雨盖板。为正确封装，缆索外壳必须为圆形（或接近圆形）外部直径为 0.12”（3 厘米）到 0.25”（6.3 厘米）之间。

- 将配线穿过压紧螺母、衬垫、和盖板。
- 松开接线柱螺母。
- 剥开配线穿进接线柱。
- 旋紧螺母。
- 滑动盖板覆盖端子，确定使用附送的两个机器螺钉。
- 确保垫圈放置正确，旋紧压缩螺母。



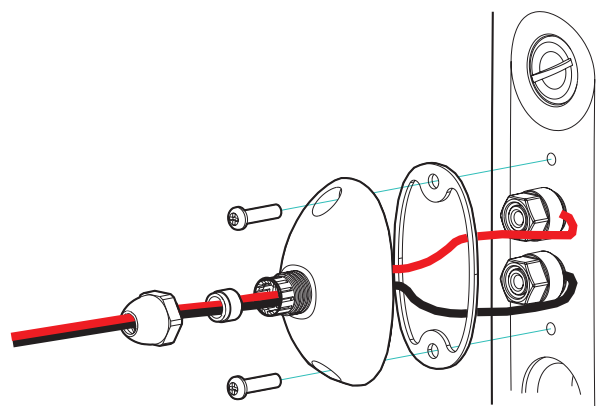
CH



确保防风雨连接，以及输入盖板完全盖上扩音器搁柜，所有垫圈正确放置，以及所有硬件充分固紧。使用输入盖板时，可能需要使用较小的配线以便正确安装。



注意！使用输入连接盖板时，请勿使用香蕉型连接器或平接线片。使用输入盖板时直接将配线连入端子。

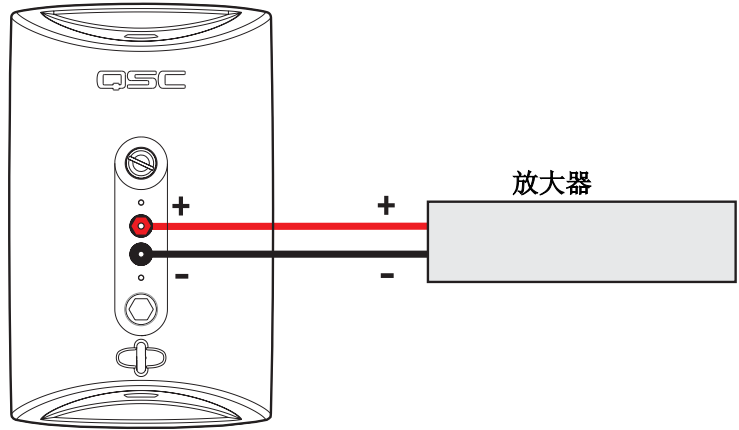


连线

将放大器的+端和一端直接输出到扬声器端子的+（红色）和-（黑色）端。接线柱端子可以连接配线、扁平接头、或香蕉插头。使用输入盖板时仅限使用配线连接。端子间隔距离 0.75”（19 厘米）。



在整个系统内保持扬声器和放大器两极连接正确。所有标为正极的扩音器端子应连到标为正极的放大器输出端子。这样可提供最大的低频输出。



AD-S52T 70 伏特 /100 伏特变压器分接头选择

AD-S52T 型号配有一个 70 伏特 /100 伏特变压器，用于分布式音频系统。后面板有一个变压器分接头选择开关，用于设定扩音器的功率。不使用此变压器，可将开关设为 8 欧姆操作。

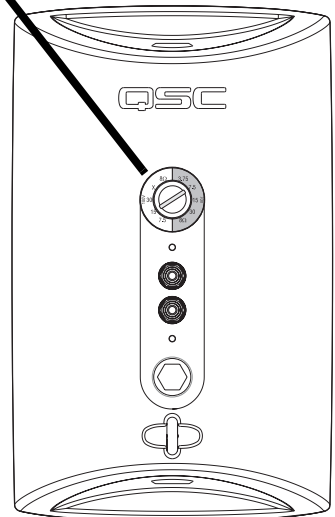
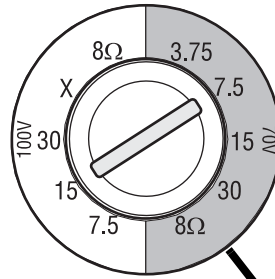
将插槽与想要的功率设定数对齐，便可选择功率。用一个硬币或扁头螺丝刀选择开关。

70 伏特分布式系统：使用右边的标识。从 3.75, 7.5, 15, 或 30 瓦中选择。

100 伏特 分布式系统：使用右边的标识。从 7.5, 15, 或 30 瓦中选择。“X”位置不能使用。



注意！8 欧姆设定仅限用于 8 欧姆音频系统。连接 AD-S52T 扬声器到 70 伏特 /100 伏特分布式音频系统时，切勿使用 8 欧姆设定。



喷涂扬声器

扩音器的外壳、栅格、和套托架可以随意喷涂，需按以下步骤进行。搁柜由耐冲性聚苯乙烯制成，需要控制喷涂过程方可获得良好效果。使用来自信誉好的油漆供应商的转为耐冲性聚苯乙烯设计的油漆。

- 1- 去除栅格。
- 2- 如果要把托架和扬声器涂成一个单元：加上球形托架和套托架。
- 3- 遮住扬声器输入连接器。
- 4- 遮住低音扬声器、高音扬声器、和端口，确保驱动器内未放盒带。也可以将栅格内部完全遮住，放在扬声器上面进行喷涂。
- 5- 用中性肥皂和热水清洗要喷涂的配件。注意不要让驱动器或输入连接蘸水或进水。用热水漂洗。需彻底干燥。
- 6- 打磨—喷涂前用红色 Scotchbrite® 衬垫或 320 - 400 粗砂砂纸打磨要喷涂的配件。
- 7- 用压缩空气将要喷涂配件内的灰尘除净。不要把压缩空气直接吹进其它驱动器。
- 8- 清洁要喷涂的部件。
- 9- 用干净无条纹的白布配合适合的溶剂，擦拭要喷涂的配件。
- 10- 使用粘合促进剂。
- 11- 上底漆。
- 12- 上油漆。
- 13- 使用前至少干燥 8 小时。

规格

频率相应 ¹ :	75- 19k Hz (-6 dB) 64- 20k Hz (-10 dB)
驱动器 :	低频 - 5.25" (133 厘米) 防磁 高频 - 金属圆顶, 含钕磁结构
最大输出 ² : (计算的)	105 dB SPL 不间断 rms 输出 111 dB SPL 峰值功率
阻抗 :	6 欧姆标称 6 最小欧姆, 286 Hz 33 最大欧姆, 2.2k Hz
额定功率 ³ : rms (IEC 100 小时): 推荐 amp 功率 :	70 瓦 rms 140 瓦 rms
灵敏度 :	86.5 dB, 1 瓦, 1 米, 自由场 (4 pi)
定向指数 :	500 Hz 3.4 1000 Hz 5.5 2000 Hz 9.3 4000 Hz 7.9 8000 Hz 13.6 16000 Hz 6.8
Q:	500 Hz 2.2 1000 Hz 3.5 2000 Hz 8.6 4000 Hz 6.2 8000 Hz 23.0 16000 Hz 4.7
每对重量:	AD-S52: 15 lb. 净重, 22 lb. 运输 AD-S52T: 18 lb. 净重, 25 lb. 运输
标称覆盖范围	90° 水平。x 60° 垂直。
机壳 和 栅格:	耐冲性聚苯乙烯, 可移除式金属栅格。
连接器:	接线柱 (最大 0.15" (3.8 厘米) 直径的配线, 香蕉插头, 或平接线片)。
安装硬件:	包括: 装载可变壁装插座板设置、合金构造的球形座转接器。 可选: 带固定把手的套托架 (型号 YM-)

注意:

- 1- 规定的所有频率范围都是指测量到的自由场响应 (4 pi)。
- 2- 测量到的 1m 处 SPL 峰值, 自由场, 和额定 rms 功率粉红噪声输出下喇叭为 50 Hz 到 20 kHz。
- 3- 按照 IEC 建议的方法进行最大输出功率检测; 50Hz 到 20KHz 频带限制, 6dB 信号波峰因数。

产品规格如有改变恕不另行通告。

How to Contact QSC Audio Products

Cómo comunicarse con QSC Audio Products

Comment prendre contact avec QSC Audio Products

Kontaktinformationen für QSC Audio Products

联系 QSC Audio Products



Mailing address / Dirección postal / Adresse postale / 通信地址 :

QSC Audio Products, Inc.
1675 MacArthur Boulevard
Costa Mesa, CA 92626-1468 USA



Telephone Numbers / Números de teléfono / Téléphone / 电话 :

Main Number	(714) 754-6175
Sales & Marketing	(714) 957-7100 or toll free (USA only) (800) 854-4079
Customer Service	(714) 957-7150 or toll free (USA only) (800) 772-2834



Facsimile Numbers / Números de fax / Télécopieur / 传真 :

Sales & Marketing FAX	(714) 754-6174
Customer Service FAX	(714) 754-6173



World Wide Web / Site Web / 网址 :

www.qscaudio.com

E-mail / Dirección electrónica:

info@qscaudio.com
service@qscaudio.com

QSC™

QSC Audio Products, Inc. 1675 MacArthur Boulevard Costa Mesa, California 92626 USA

©2004 "QSC" and the QSC logo are registered with the U.S. Patent and Trademark Office.