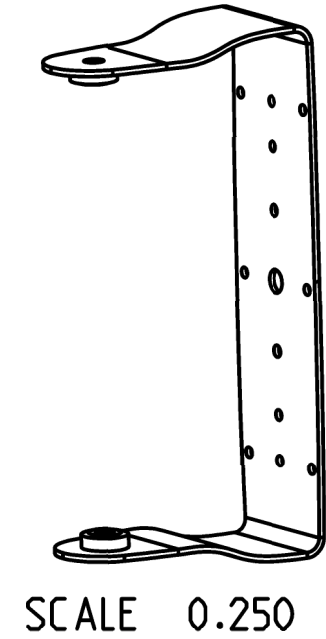
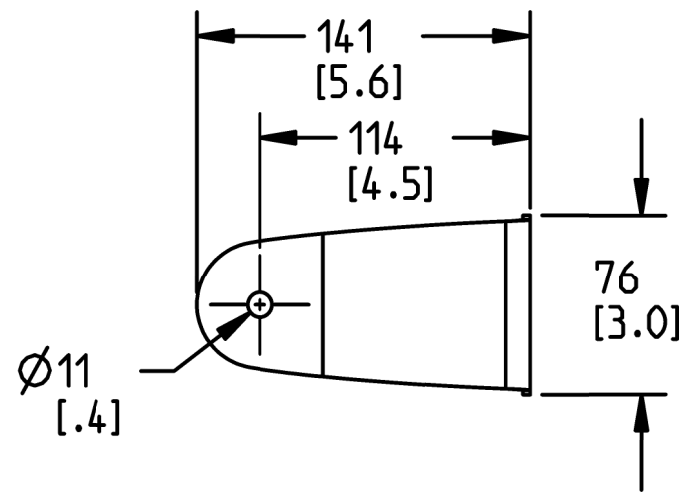
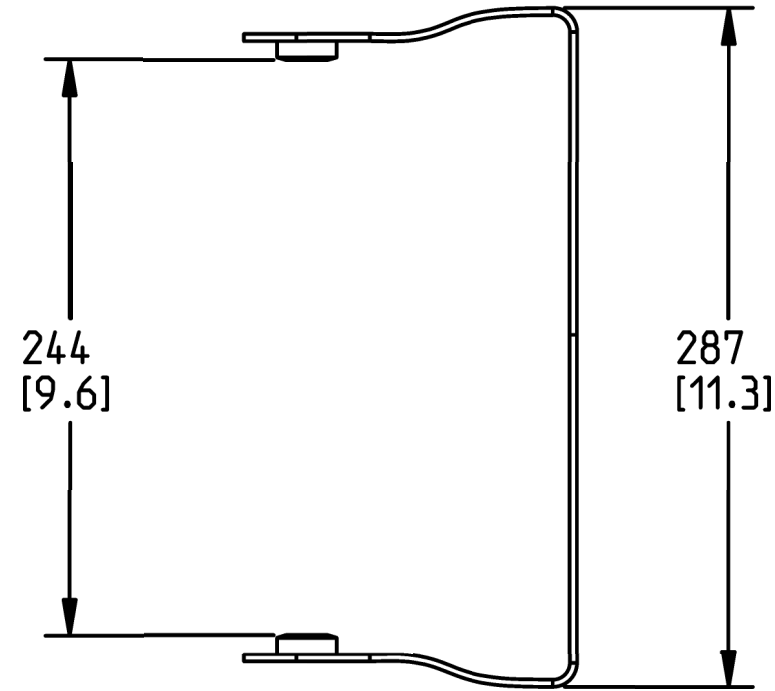
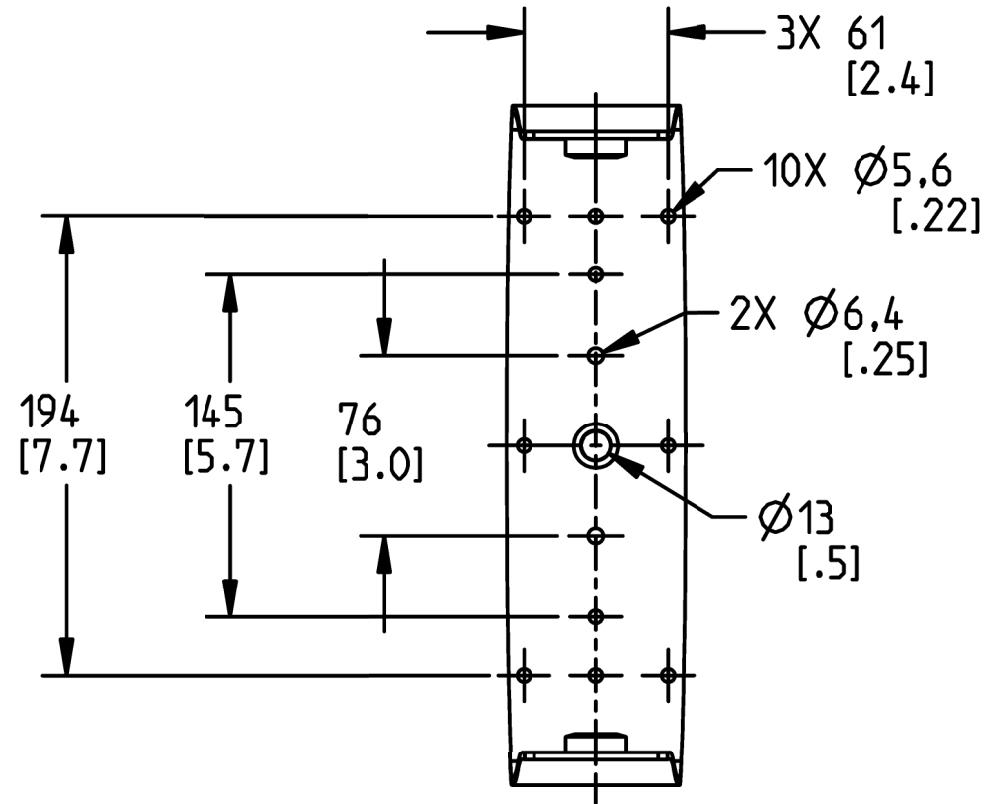


THIS DOCUMENT CONTAINS PROPRIETARY INFORMATION WHICH IS THE PROPERTY OF QSC AUDIO PRODUCTS, THAT MAY NOT BE DISCLOSED, REPRODUCED OR USED WITHOUT EXPRESS WRITTEN CONSENT FROM QSC AUDIO PRODUCTS.

| REVISIONS |     |             |    |           |        |
|-----------|-----|-------------|----|-----------|--------|
| REV       | ECO | DESCRIPTION | BY | EFF DATE  | ISSUED |
| A         | -   | RELEASE     | JD | 31-JAN-14 | -      |



- 4. PARTS ARE SYMMETRICAL ABOUT CENTER LINES UNLESS OTHERWISE NOTED.
  - 3. SYMBOL  $\odot$  INDICATES SUSPENSION POINT.
  - 2. TOLERANCES (MM): X  $\pm$  3, ANGLES:  $\pm$  1°.
  - 1. NET WEIGHT APPROX. 0.4 KG (1 LBS)
- NOTE: UNLESS OTHERWISE SPECIFIED

|   |                               |
|---|-------------------------------|
| UNLESS OTHERWISE SPECIFIED DIMENSIONS IN MILLIMETERS (IN) |                               |
| TOLERANCES ARE:   |                               |
| DECIMALS .X $\pm$ .5 [.02]                                | DECIMALS .XX $\pm$ .25 [.010] |
| ANGLES $\pm$ 1/2  |                               |
| DEBURR EDGES .25 [.010] R MAX                             |                               |
| MATERIAL  |                               |
| FINISH  |                               |

| APPROVALS                      | DATE (DD-MMM-YY) |
|--------------------------------|------------------|
| DRAWN<br>J. DELARM             | 31-JAN-14        |
| CHECKED<br>R. PINGLE           | 31-JAN-14        |
| MFG ENG                        | -                |
| QA CHECK                       | -                |
| DRAWING INFO: FG-000113-2D.A.2 |                  |
| MODEL INFO: FG-000113-3D.A.0   |                  |

|                       |           |   |              |
|-----------------------|-----------|---|--------------|
| <b>QSC</b>            |           | QSC AUDIO PRODUCTS, LLC<br>1675 MACARTHUR BOULEVARD<br>COSTA MESA, CA 92626 |              |
| ACCESSORY, YOKE, YM-5 |           |   |              |
| SIZE                  | CAGE CODE | DRAWING NO.   | REV          |
| B                     | 00PW 4    | FG-000113-2D  | A            |
| SCALE:                | 0.313     | DO NOT SCALE DRAWING  | SHEET 1 OF 1 |