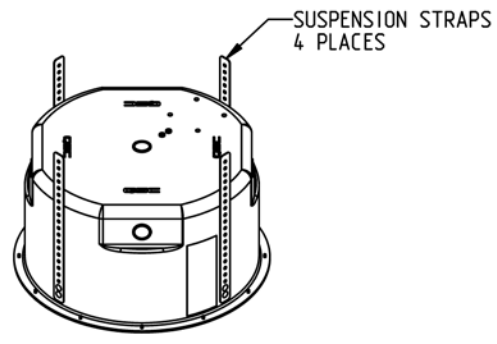
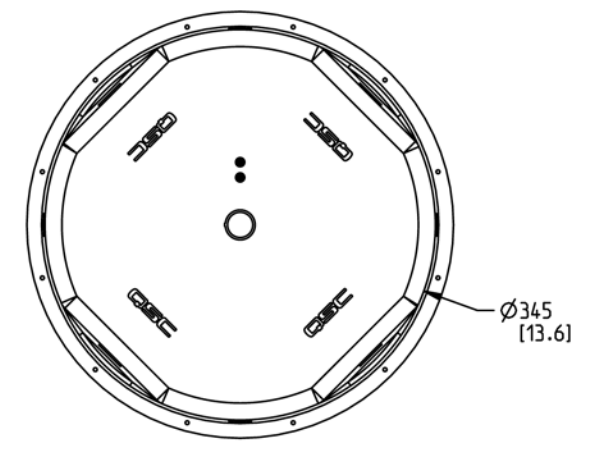
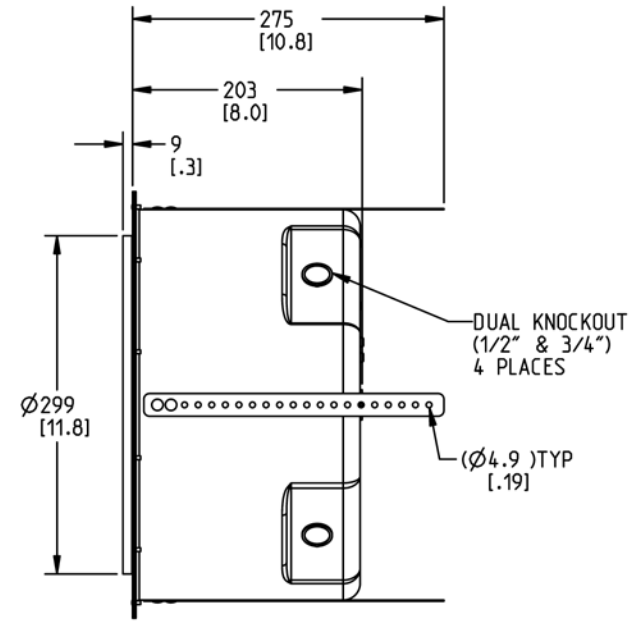
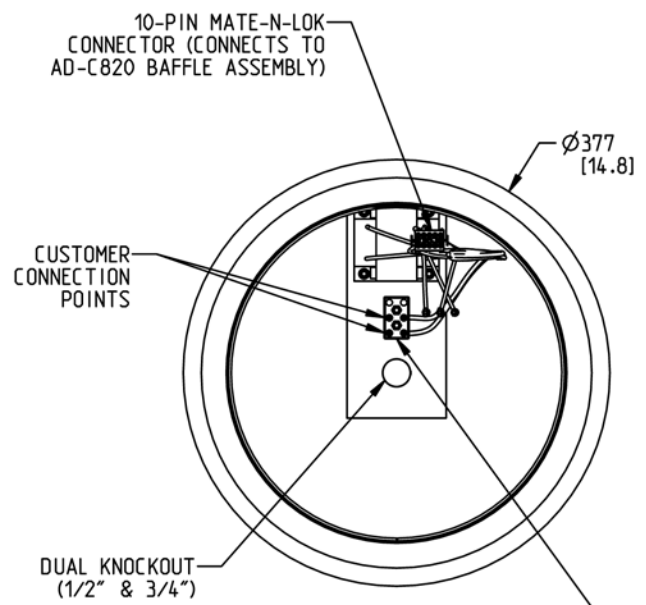


THIS DOCUMENT CONTAINS PROPRIETARY INFORMATION
 WHICH IS THE PROPERTY OF QSC AUDIO PRODUCTS, LLC
 WHICH IS UNLAWFULLY DISCLOSED OR USED WITHOUT
 THE WRITTEN CONSENT OF QSC AUDIO PRODUCTS, LLC

REVISIONS				
REV	DESCRIPTION	EFF DATE	CHK	APVD
A	RELEASE	12-JUL-10	MH	JO



SCALE 0.180



2. TOLERANCES (MM): X.XX ± 1.00, ANGLES: ± 1°.
 1. NET WEIGHT APPROX. 4.1 KG (9.0 LBS).
 NOTE: UNLESS OTHERWISE SPECIFIED

UNLESS OTHERWISE SPECIFIED DIMENSIONS ARE IN INCHES. TOLERANCES ARE: DECIMALS DECIMALS ANGLES .XX ± .02 .XXX ± .010 ± 1/2 DEBURR EDGES .010 R MAX	CONTRACT NO.		QSC AUDIO PRODUCTS, LLC 1675 MACARTHUR BOULEVARD COSTA MESA, CA 92626	
	APPROVALS			
	DRAWN D. SIMPSON		23-JUN-10	
	CHECKED J. O'CONNOR		09-JUL-10	
MATERIAL	MFG ENG	SPEAKER, AD-C800BB, BACK BOX		
FINISH	ISSUED	SCALE	CAGE CODE	DWG NO.
DO NOT SCALE DRAWING		0.300	C 00PW4	FG-000889-2D
WP-000889-00.A.1		FG-000889-2D.A.3	REV A	
SHEET 1 of 1				