

## HPR M10 KIT User Manual

This suspension kit is required for vertical suspension of the QSC HPR122i from a solid structure or for the vertical suspension of the QSC HPR122i, HPR152i or HPR153i from a solid structure. For horizontal suspension of the HPR122i, the HPR SUS KIT 122 is required. Do not suspend the HPR152i or HPR153i enclosures horizontally.

### Contents:

- Eyebolt, M10, steel, 3 each
- Spacer, aluminum, 2 each
- Conical spring washer, 2 each

## Important Safety Precautions & Explanation of Symbols

Install in accordance with QSC Audio Product's instructions and under the supervision of a licensed Professional Engineer.

**WARNING!** The exclamation point within an equilateral triangle is intended to alert the user to the presence of important operating and maintenance (servicing) instructions in this manual.



•Before placing, installing, rigging, or suspending any speaker product, inspect all hardware, suspension, enclosures, transducers, brackets and associated equipment for damage. Any missing, corroded, deformed, or non-load rated component could significantly reduce the strength of the installation or placement. Any such condition severely reduces the safety of the installation and should be immediately corrected. Use only hardware which is rated for the loading conditions of the installation and any possible short-term, unexpected overloading. Never exceed the rating of the hardware or equipment.

•Consult a licensed, Professional Engineer regarding physical equipment installation. All local, state and national regulations regarding the safety and operation of equipment are understood and adhered to.

•Use only load rated hardware to attach to the eyebolts or pull-back bar when suspending these products.

•Do not suspend these products from any structural element on the enclosure other than the load rated M10 suspension points.

•Do not suspend the HPR152i or HPR153i horizontally under any circumstances using this or any other hardware.

## Vertical Suspension of the HPR122i

### Install Two Top-surface Eyebolts

On the top of the enclosure, near the front corners, are M10 flat-head screws which must be removed and have an eyebolts installed in their place.

1- Remove the factory installed M10 flat-head screws from the top of the enclosure using a 6mm hex wrench.

2- Thread an eyebolt into each of the enclosure's threaded inserts; do not use flat washers or standoffs on the top eyebolts. Tighten eyebolts.

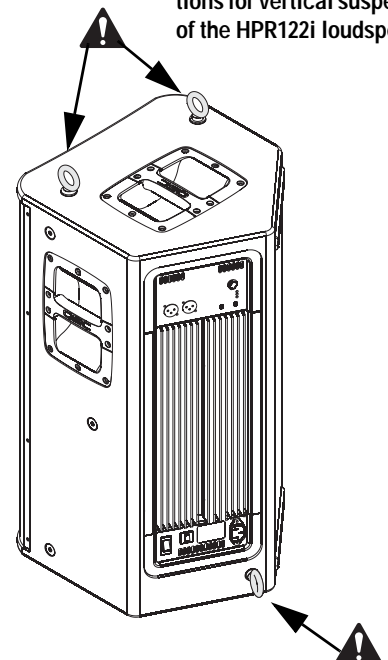
### Install One Pull-back Eyebolt

At the rear of the enclosure, just below the amplifier module, is a M10 flat-head screw which must be removed and have an eyebolt installed in its place.

1- Remove the factory installed M10 flat-head screw from the enclosure using a 6mm hex wrench.

2- Thread an eyebolt into the enclosure's threaded insert; do not use a standoff on the pull-back eyebolt. Tighten eyebolt.

Eyebolt installation locations for vertical suspension of the HPR122i loudspeaker.



•Do not use the eyebolt spacers when suspending the HPR122i loudspeaker vertically. They are for use on the HPR152i and HPR153i loudspeakers.

•Note! Be sure to tighten each eyebolt until shoulder is snug against the enclosure. Tighten the eyebolts down and then continue to rotate until they are positioned as desired.

# Vertical Suspension of the HPR152i and HPR153i loudspeakers

## Install Two Top Surface Eyebolts

1- On the top front corners of the enclosure, locate the rubber inserts which protect the enclosure's threads. Remove the rubber inserts.

2- Place one conical spring washer and one eyebolt standoff onto the threaded portion of an eyebolt and carefully thread the eyebolt assembly into the enclosure's threads. Repeat for remaining front, top corner.



•**Note!** Be sure to tighten each eyebolt until shoulder is snug against the spring washer and each eyebolt standoff is snug against the enclosure. Tighten the eyebolts down and then continue to rotate until they are positioned as desired.

## Install One Pull-back Eyebolt

At the rear of the enclosures, just below the amplifier module is a M10 flat-head screw which must be removed and have an eyebolt installed in its place (6mm hex wrench needed).

1- Remove the factory installed bolt using a 6mm hex wrench.

2- Thread an eyebolt into the enclosure's threaded insert; do not use a flat washer or an eyebolt standoff on the pull-back eyebolt.

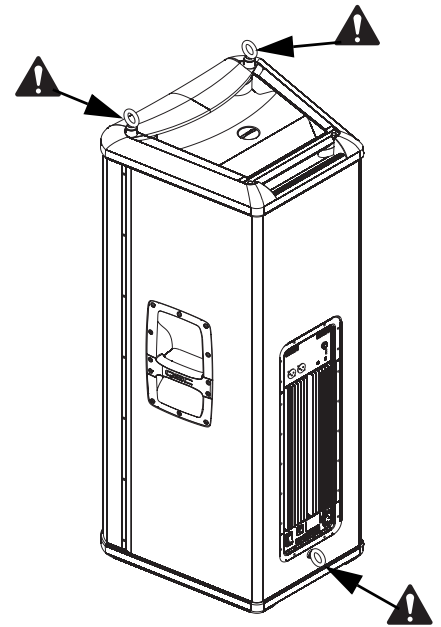


•**Note!** Be sure to tighten bolt until shoulder is snug against the side of the enclosure. Tighten the eyebolt down and then continue to rotate until it is positioned as desired.

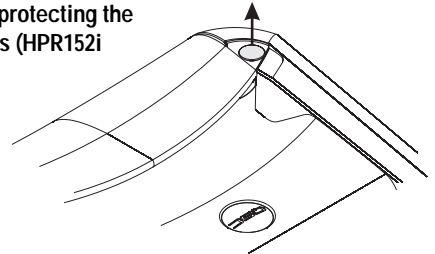


•**Do not suspend the HPR152i or HPR153i loud-speaker horizontally under any conditions! The HPR152i and HPR153i loudspeakers are designed for vertical suspension only!**

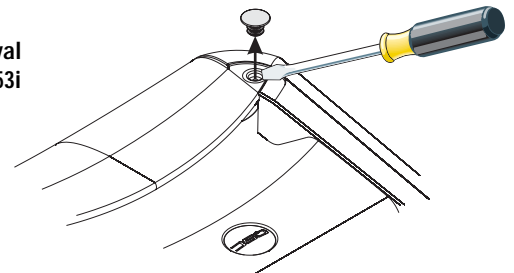
Eyebolt installation locations for HPR152i and HPR153i loudspeakers.



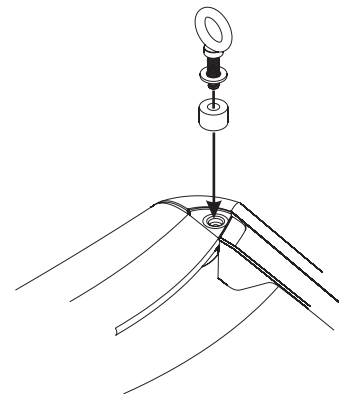
Before installing the eyebolts, remove the rubber inserts protecting the enclosure's threads (HPR152i and HPR153i only).



Rubber insert removal (HPR152i and HPR153i only); gently pry upward to loosen insert.



Eyebolt standoff installation, HPR152i, HPR153i.



Installed eyebolt.

