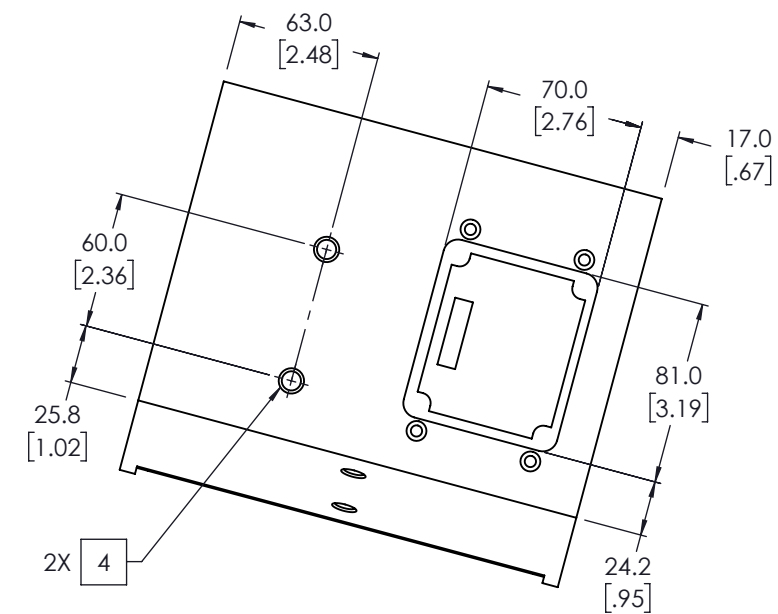
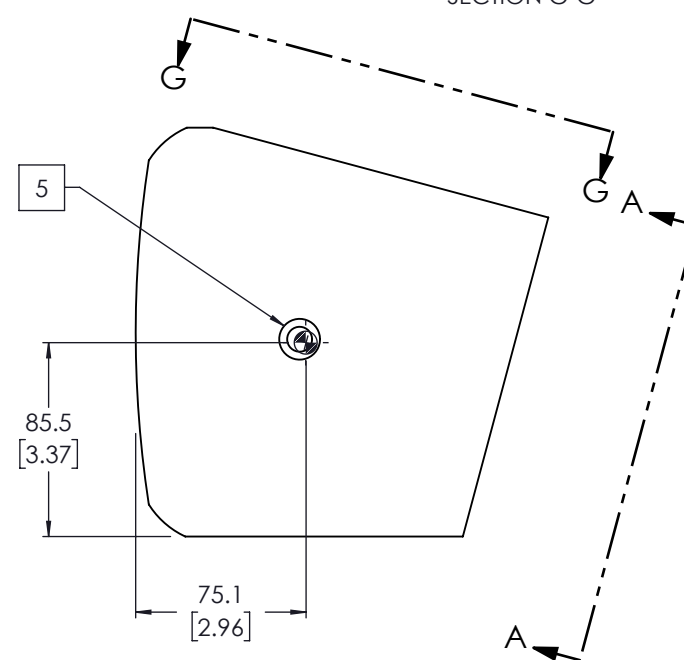
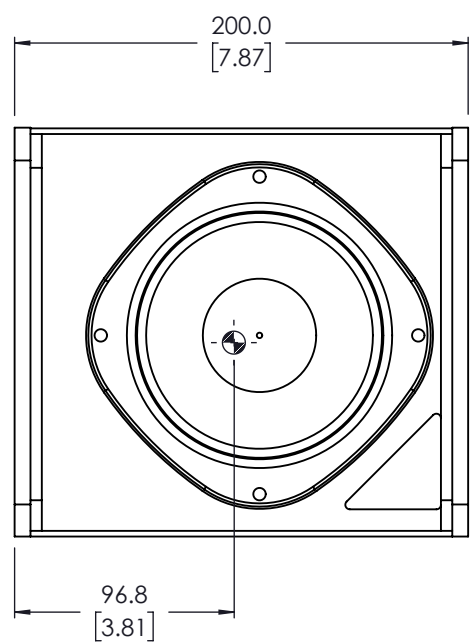
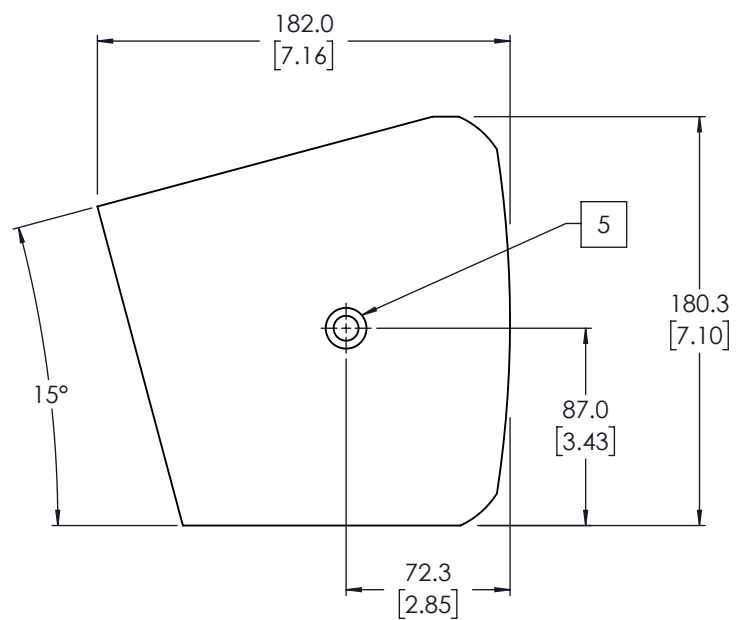
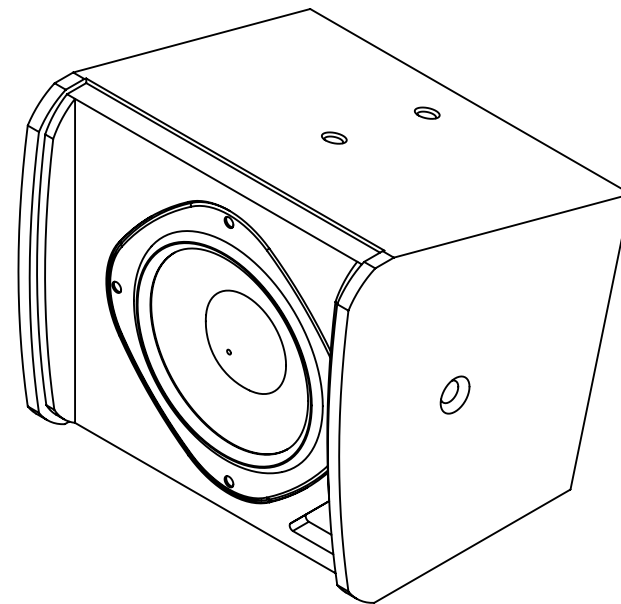
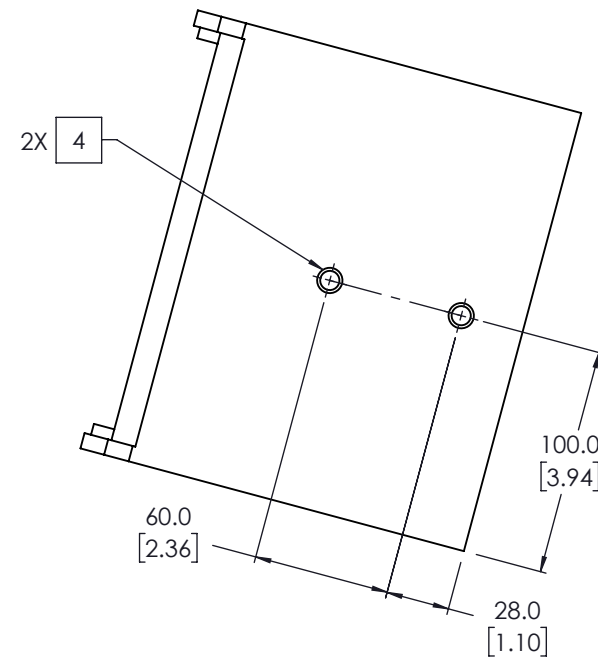


NOTES: UNLESS OTHERWISE SPECIFIED

1. NET WEIGHT APPROX. 3.7 KG [8.2 LBS].
2. PARTS ARE SYMMETRICAL ABOUT CENTER LINES UNLESS OTHERWISE NOTED.
3. SYMBOL  $\oplus$  INDICATES CENTER OF GRAVITY.
4. SYMBOL  $\odot$  INDICATES SUSPENSION POINT.
5. SYMBOL  $\oplus$  INDICATES SUSPENSION POINT.
6. GRILLE NOT SHOWN FOR CLARITY.



DIMENSIONS TYP BOTH SIDES

