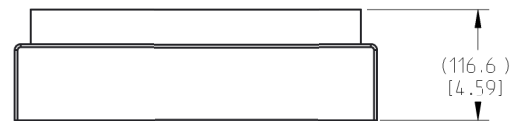
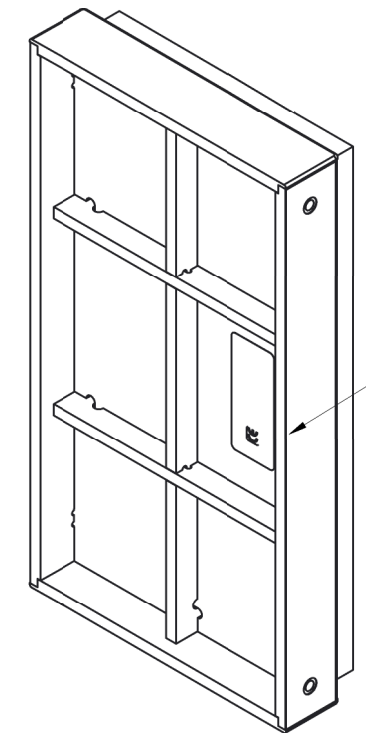
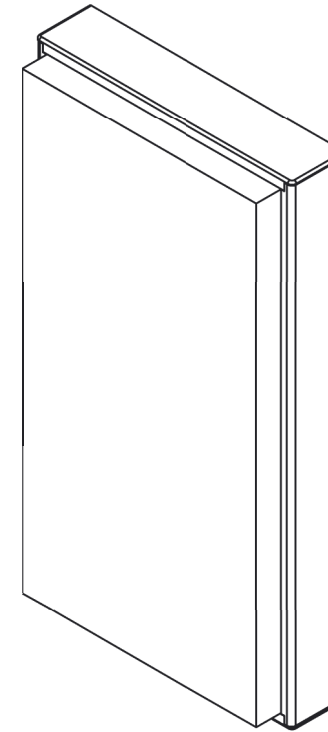
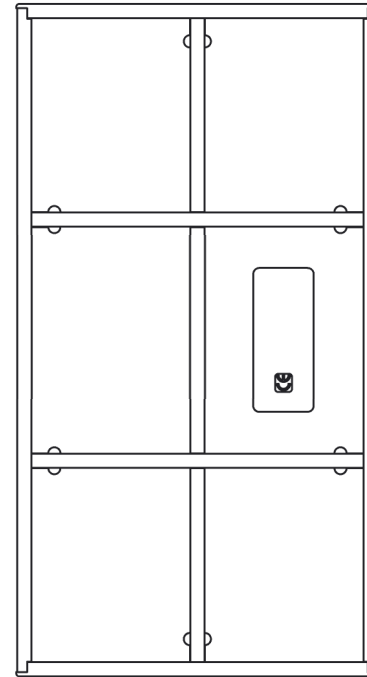
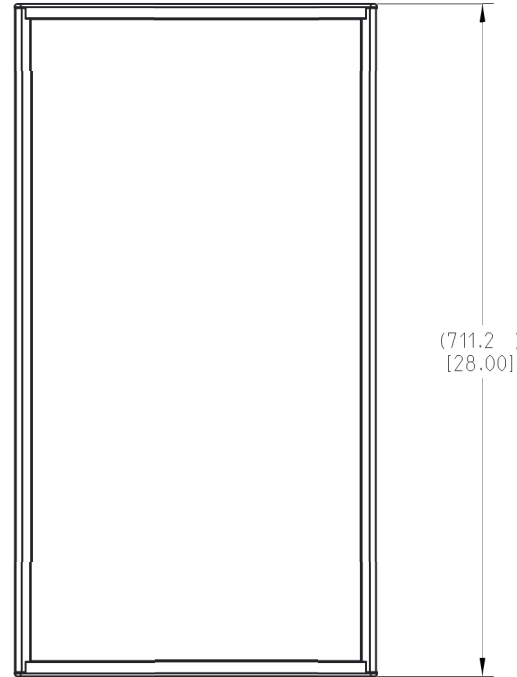
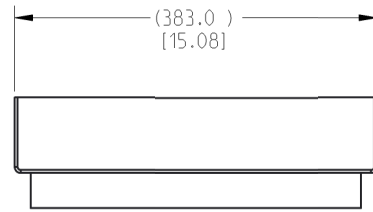


THIS DOCUMENT CONTAINS PROPRIETARY INFORMATION WHICH IS THE PROPERTY OF QSC AUDIO PRODUCTS. IT MAY NOT BE DISCLOSED, REPRODUCED OR USED WITHOUT EXPRESS WRITTEN CONSENT FROM QSC AUDIO PRODUCTS.

REVISIONS					
REV	ECO	DESCRIPTION	BY	EFF DATE	ISSUED
A	13186	PRODUCTION RELEASE W/O CHANGE	JD	04-OCT-13	DD

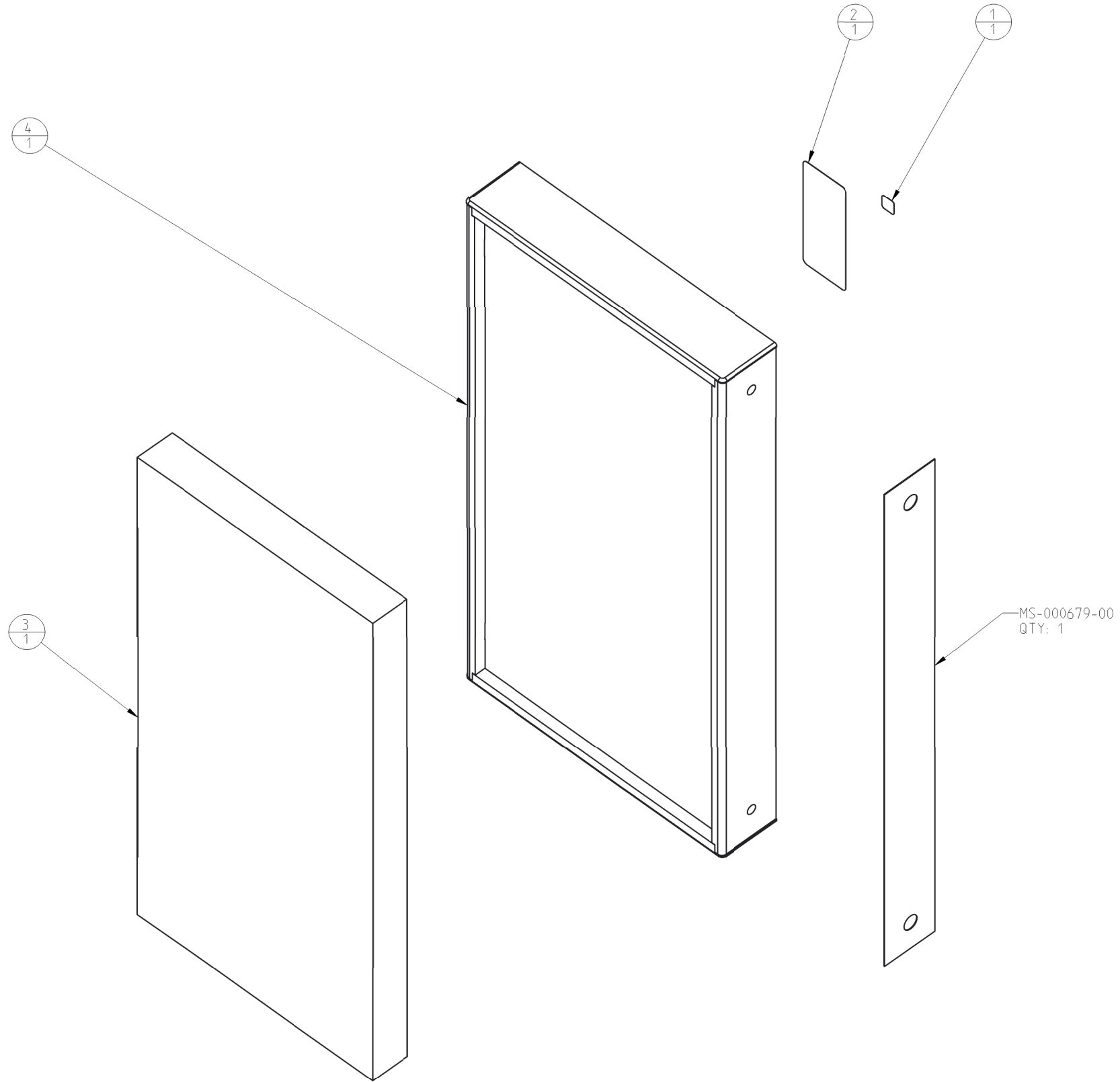


ITEM	PART NUMBER	DESCRIPTION	QTY
4	SB-000159-00	BAFFLE, ASSY, RBK12	1
3	MS-000675-00	FOAM, ACOUSTIC SHEET, BLK, 13.75" X 26.75" X 2" THK	1
2	LB-001039-00	LABEL, MODEL, RBK12	1
1	LB-000495-00	LABEL, CE	1

BILL OF MATERIALS											
UNLESS OTHERWISE SPECIFIED DIMENSIONS IN MILLIMETERS (IN)	APPROVALS	DATE (DD-MMM-YY)	QSC AUDIO PRODUCTS, LLC 1675 MACARTHUR BOULEVARD COSTA MESA, CA 92626								
TOLERANCES ARE:	DRAWN	15-JUN-13									
DECIMALS .X±.01 .XX±.010 ANGLES ± 1/2	CHECKED	23-SEP-13									
DEBURR EDGES .25 (1.010) R MAX	MFC ENG	20-SEP-13									
MATERIAL	QA CHECK	23-SEP-13	BAFFLE ASSY, RBK12, BLK								
FINISH	S. FELTS	23-SEP-13									
DRAWING INFO: WP-002012-00.A.2		SCALE: 0.250	<table border="1"> <tr> <td>SIZE</td> <td>CAGE CODE</td> <td>DRAWING NO.</td> <td>REV</td> </tr> <tr> <td>D</td> <td>00PW4</td> <td>WP-002012-00</td> <td>A</td> </tr> </table>	SIZE	CAGE CODE	DRAWING NO.	REV	D	00PW4	WP-002012-00	A
SIZE	CAGE CODE	DRAWING NO.	REV								
D	00PW4	WP-002012-00	A								
MODEL INFO: WP-002012-00.A.2		SCALE: 0.250	DO NOT SCALE DRAWING SHEET 1 OF 2								

2 APPLY GASKET (MS-000679-00) ON INDICATED SURFACE
 1 THIS PART MUST BE ROHS COMPLIANT PER QSC RD-000160-00. SUPPLIER TO PROVIDE A CERTIFICATE OF ROHS COMPLIANCE
 NOTE: UNLESS OTHERWISE SPECIFIED

THIS DOCUMENT CONTAINS PROPRIETARY INFORMATION WHICH IS THE PROPERTY OF USE AUDIO PRODUCTS. IT MAY NOT BE DISCLOSED, REPRODUCED OR USED WITHOUT EXPRESS WRITTEN CONSENT FROM USE AUDIO PRODUCTS.



SIZE	CAGE CODE	DRAWING NO.	REV
D	00PW4	WP-002012-00	A
SCALE	0.375	DO NOT SCALE DRAWING	SHEET 2 OF 2