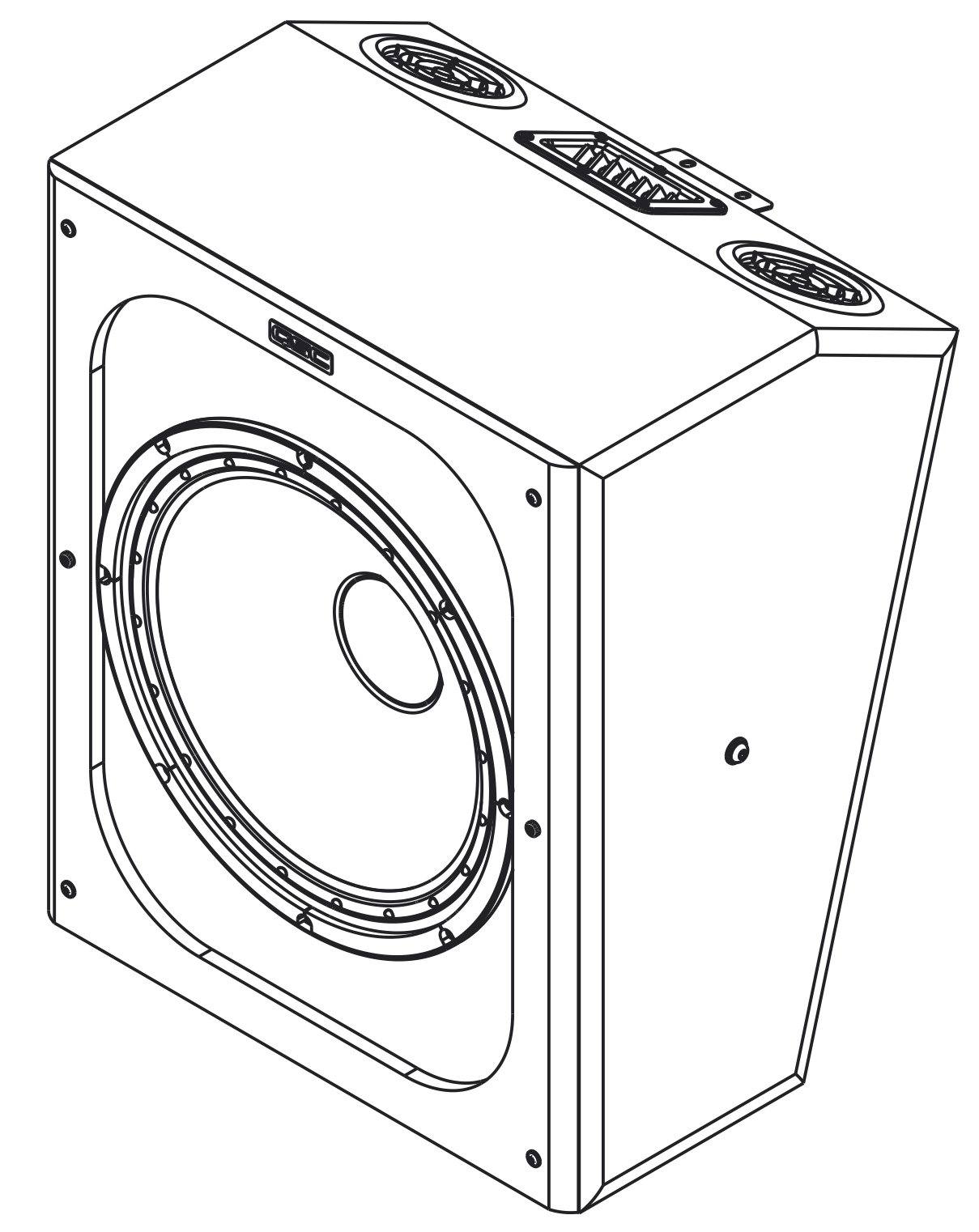
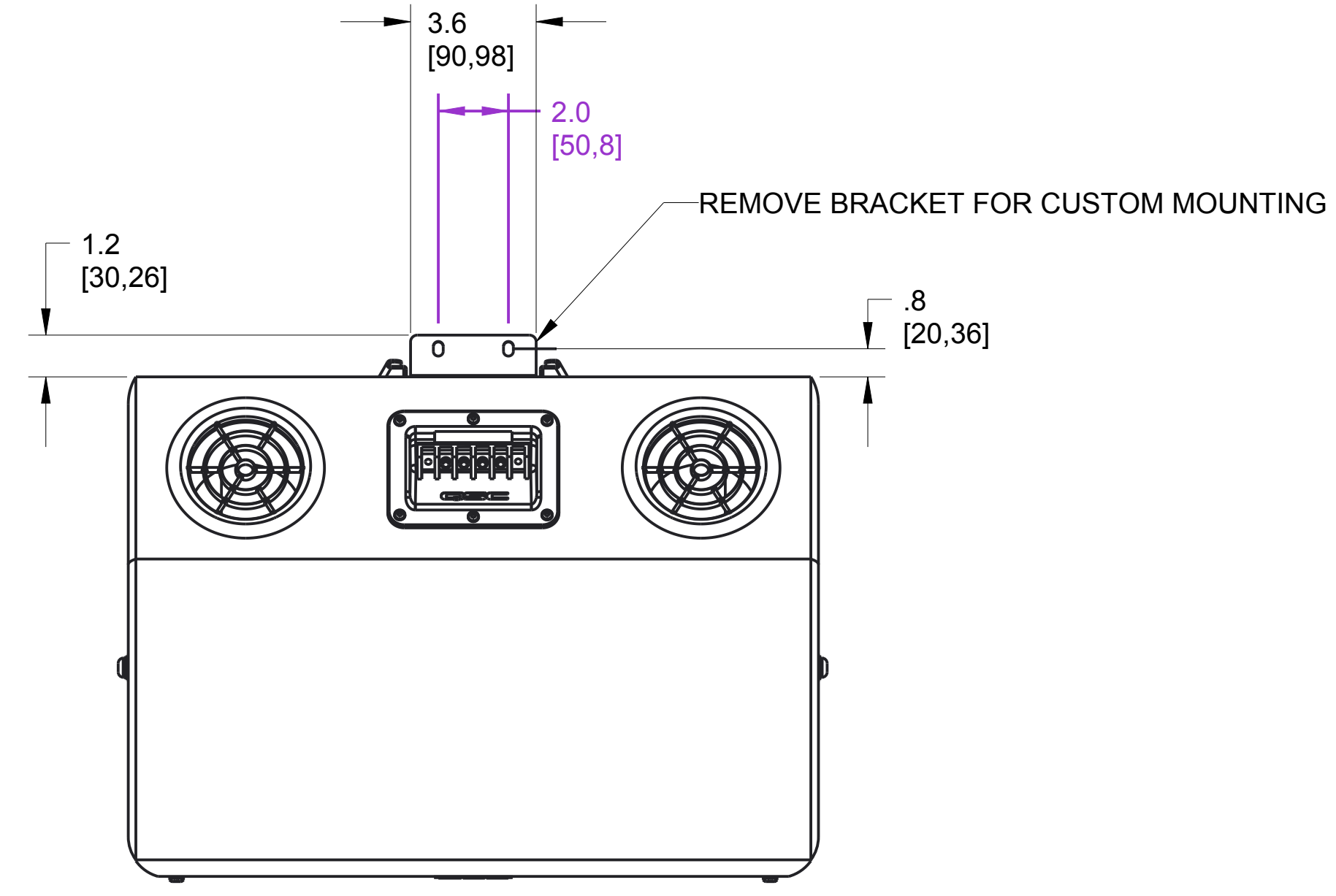
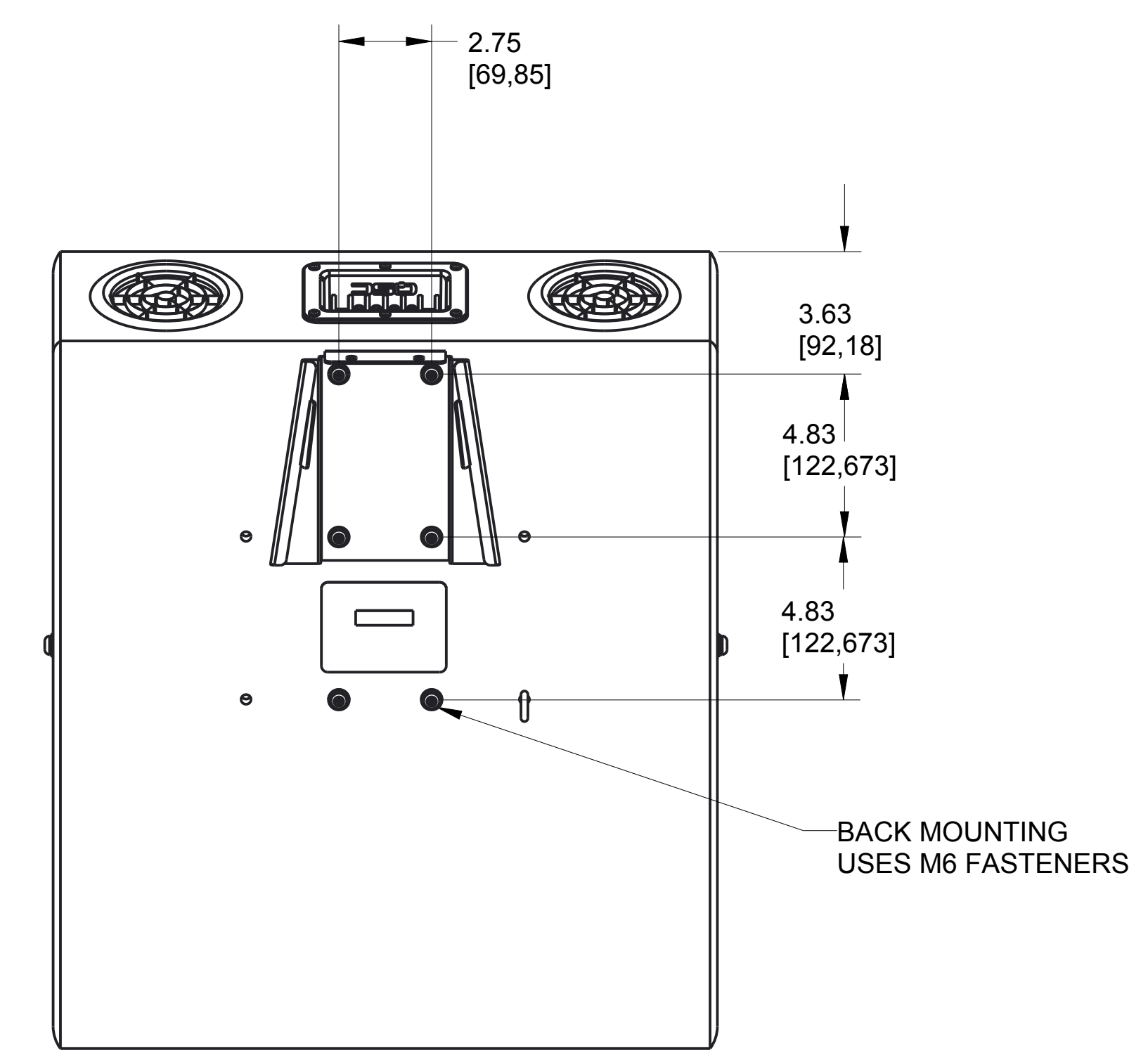
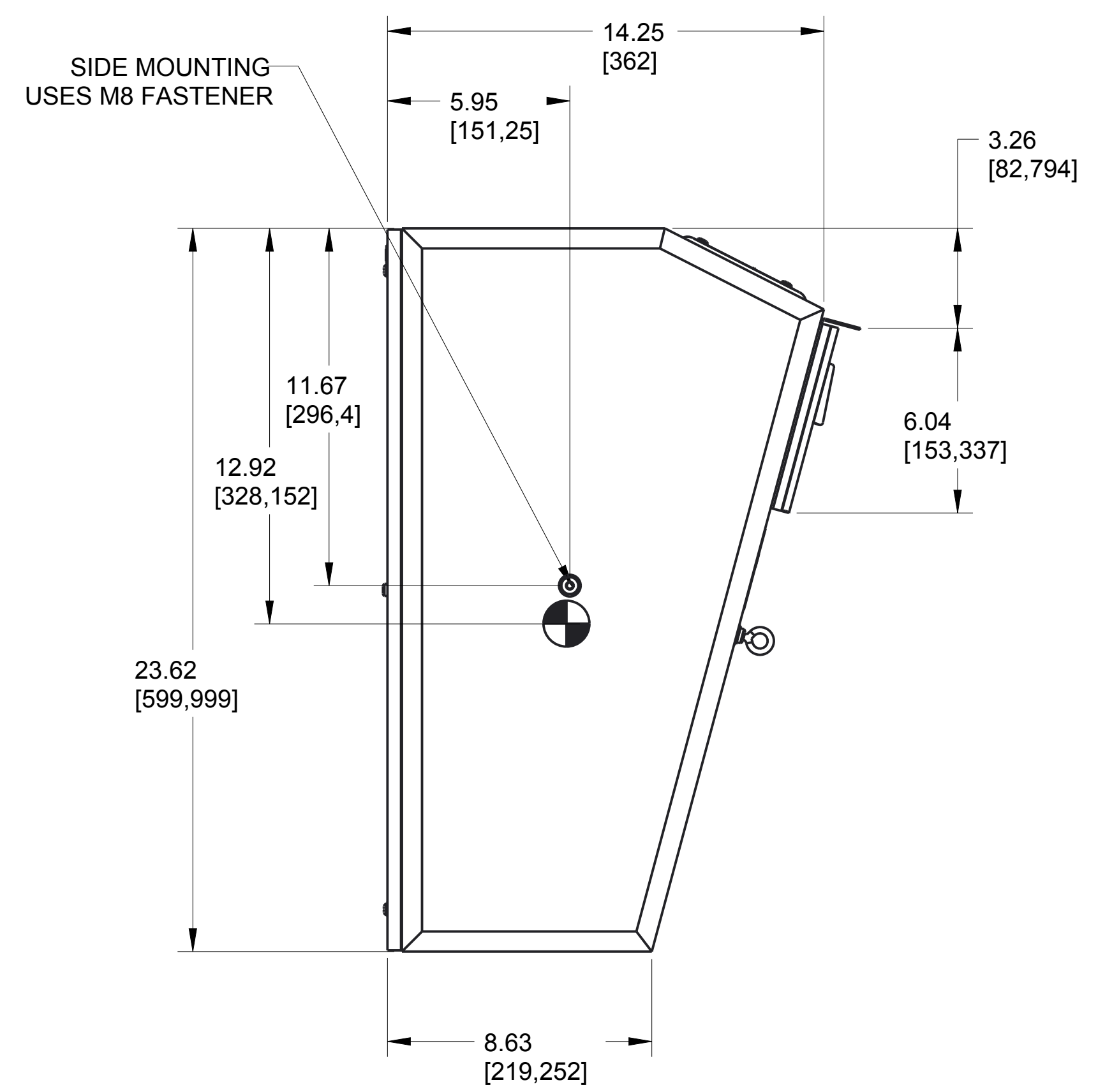
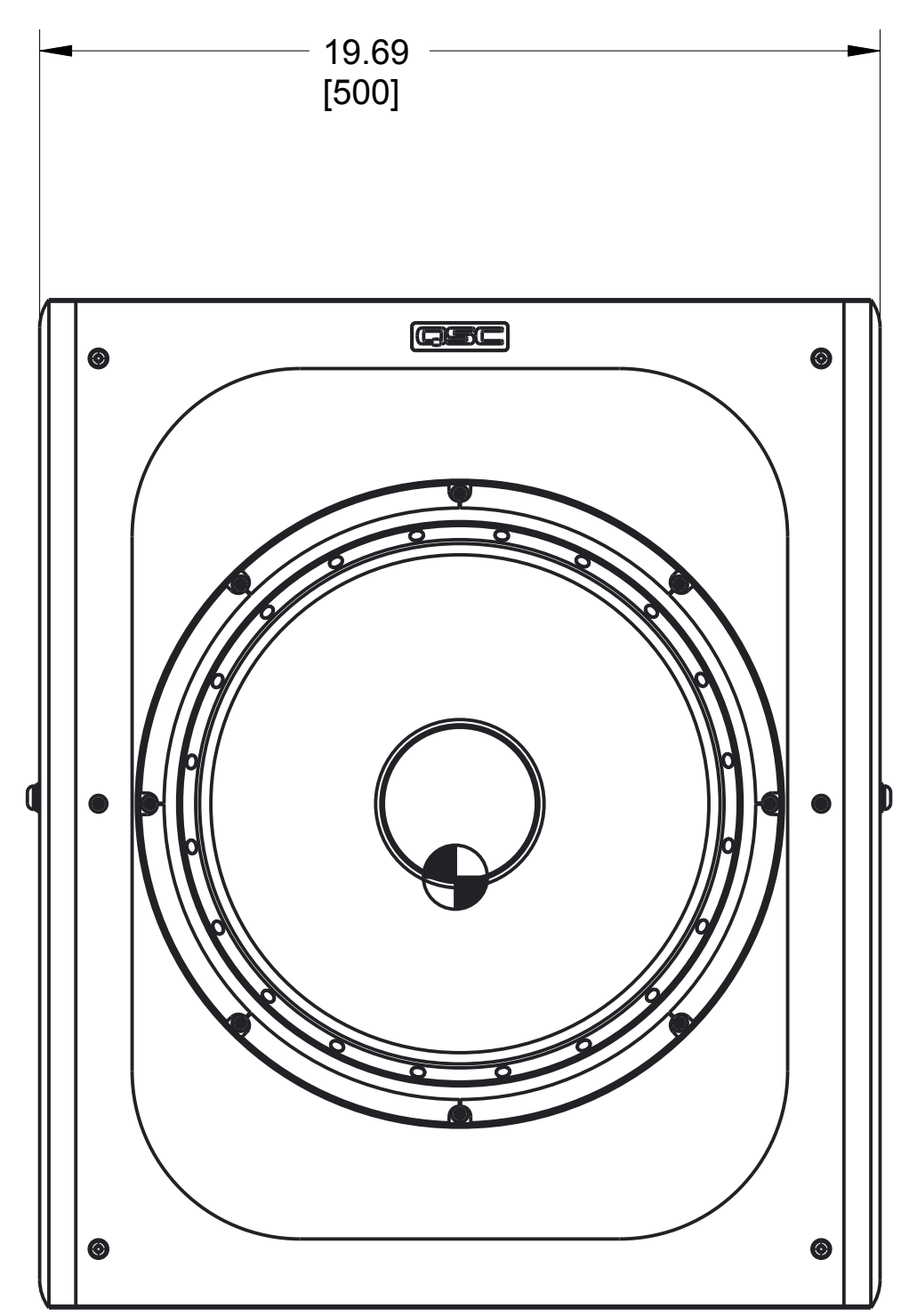


THIS DOCUMENT CONTAINS PROPRIETARY INFORMATION WHICH IS THE PROPERTY OF QSC, LLC. THAT MAY NOT BE DISCLOSED, REPRODUCED OR USED WITHOUT EXPRESS WRITTEN CONSENT FROM QSC, LLC.

REVISIONS					
REV	ECO	DESCRIPTION	BY	EFF DATE	ISSUED
A	-	RELEASE FOR MARKETING DATA	JK	18-MAR-16	JK



SCALE 0.250



- 5. PARTS ARE SYMMETRICAL ABOUT CENTER LINES UNLESS OTHERWISE NOTED.
  - 4. SYMBOL INDICATES CENTER OF BALANCE.
  - 3. SYMBOL INDICATES SUSPENSION POINT OF M8 THREAD, 2 PLACES.
  - 2. TOLERANCES ARE IN INCHES: .X ± .13, ANGLES: ± 1°.
  - 1. NET WEIGHT APPROX. 48 LBS (21.7 KG).
- NOTE: UNLESS OTHERWISE SPECIFIED

UNLESS OTHERWISE SPECIFIED DIMENSIONS IN INCHES (MM)		APPROVALS		DATE (DD-MMM-YY)		QSC, LLC 1675 MACARTHUR BOULEVARD COSTA MESA, CA 92626	
TOLERANCES ARE:		DRAWN		18-MAR-16			
DECIMALS .02 [5]	DECIMALS .010 [25]	- J. KRAUSS		18-MAR-16		<b>SPEAKER, FINISHED, SR-1590</b>	
ANGLES ± 1/2	ANGLES ± 1/2	CHECKED		18-MAR-16			
DEBURR EDGES .010 [25] R MAX		- J. KRAUSS		18-MAR-16		MFG ENG	
MATERIAL		N/A				QA CHECK	
FINISH		N/A				N/A	
DRAWING INFO:		FG-001590-2D.1.1		SIZE		CAGE CODE	
MODEL INFO:		FG-001030-3D.B.0		D		00PW4	
SCALE:		0.333		DRAWING NO.		FG-001590-2D	
DO NOT SCALE DRAWING		SHEET		REV		1	
1 OF 1							